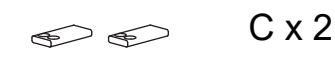
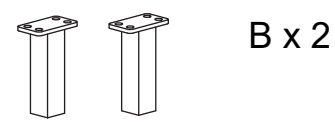
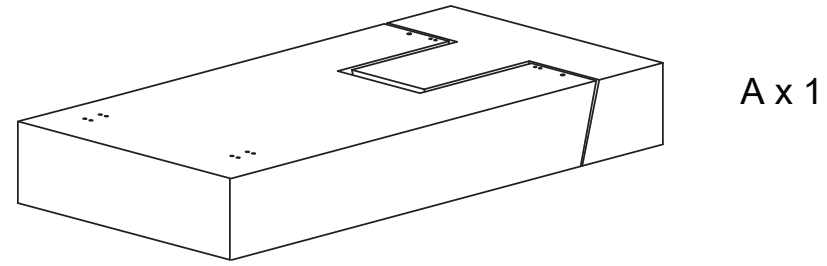


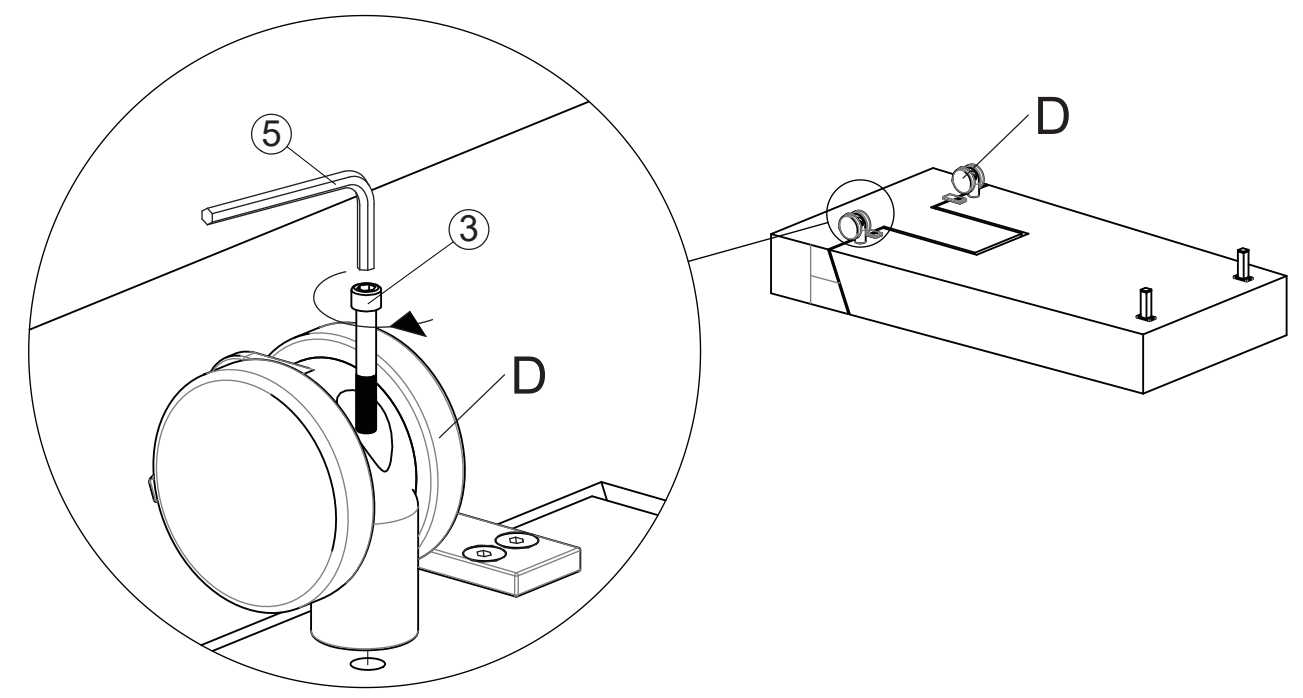


- ① X8
- ② X4
- ③ X2
- ④ X1
- ⑤ X1



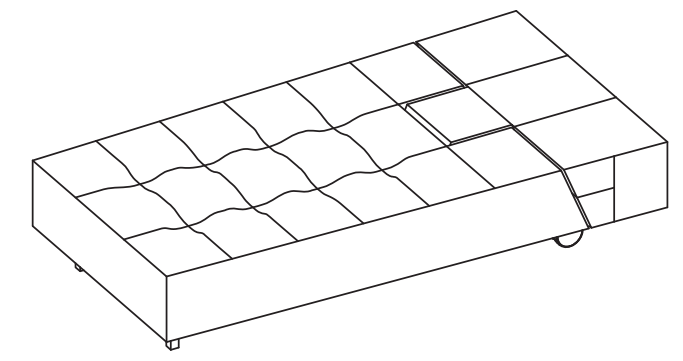
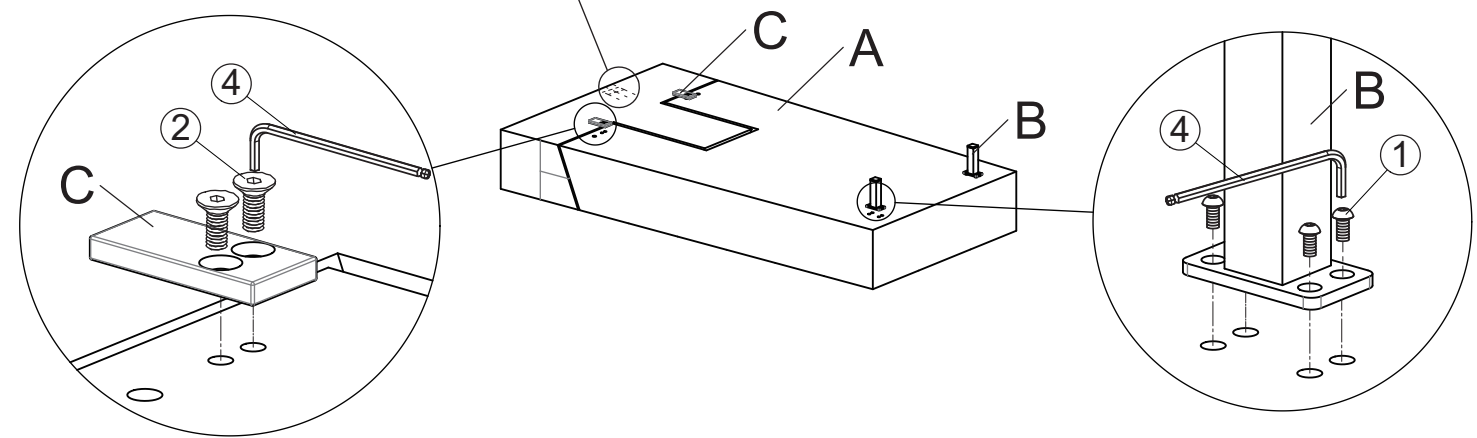
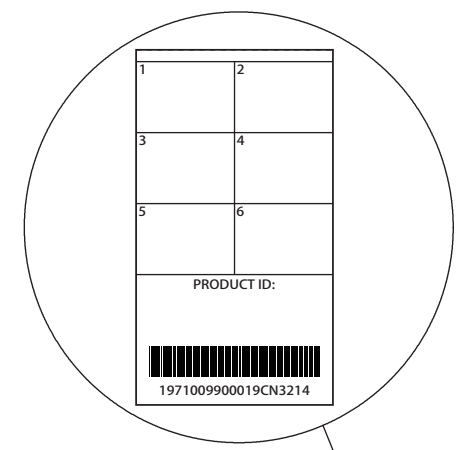
# 2

- ③ x 2

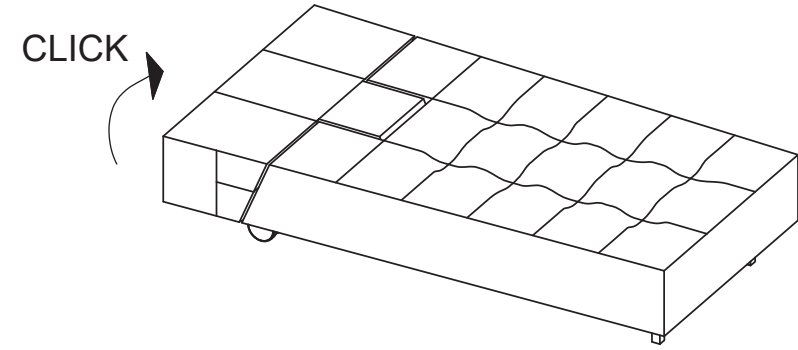


# 1

- ① x 8
- ② x 4

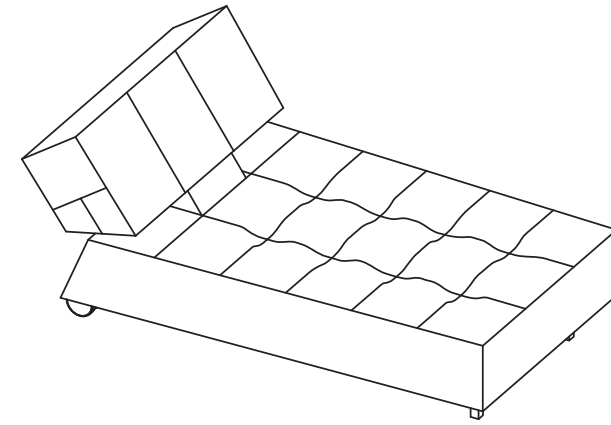


1



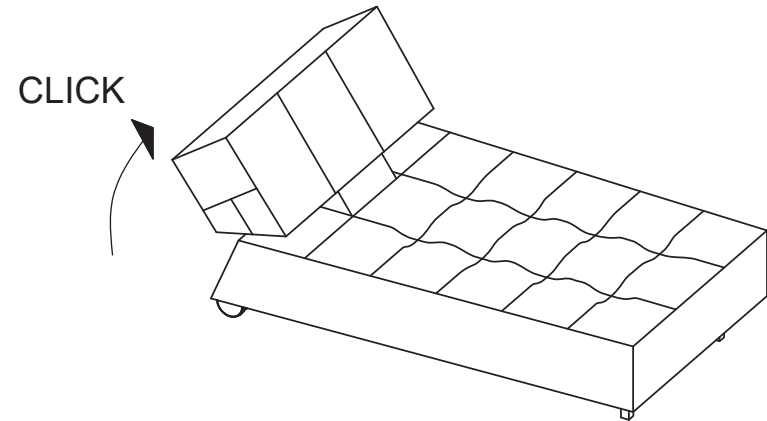
SOVE-SCHLAFEN-SLEEP-DORMIR

2



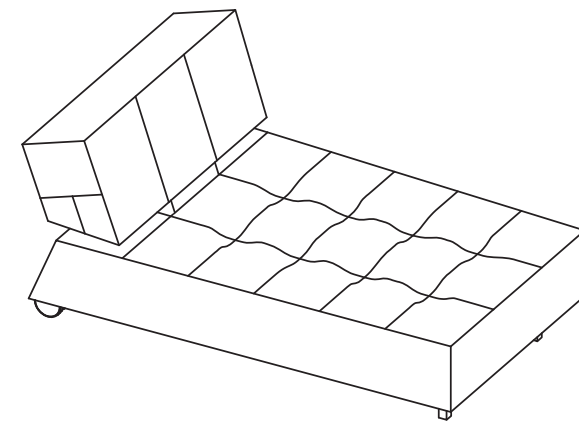
HVILE-RUHE-RELAX-REPOSER

3



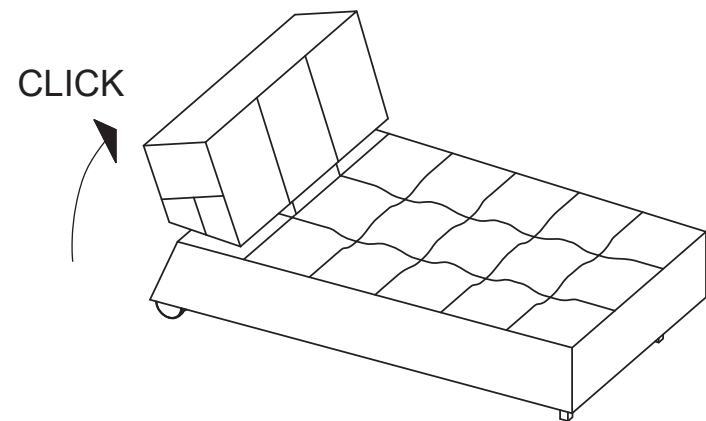
HVILE-RUHE-RELAX-REPOSER

4



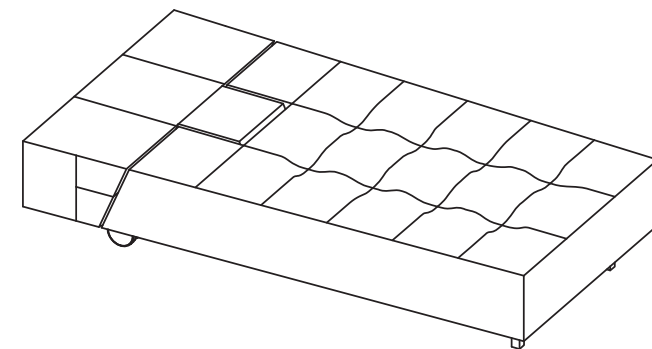
SIDDE-SITZEN-SIT-ASSISE

5



SIDDE-SITZEN-SIT-ASSISE

6



SOVE-SCHLAFEN-SLEEP-DORMIR