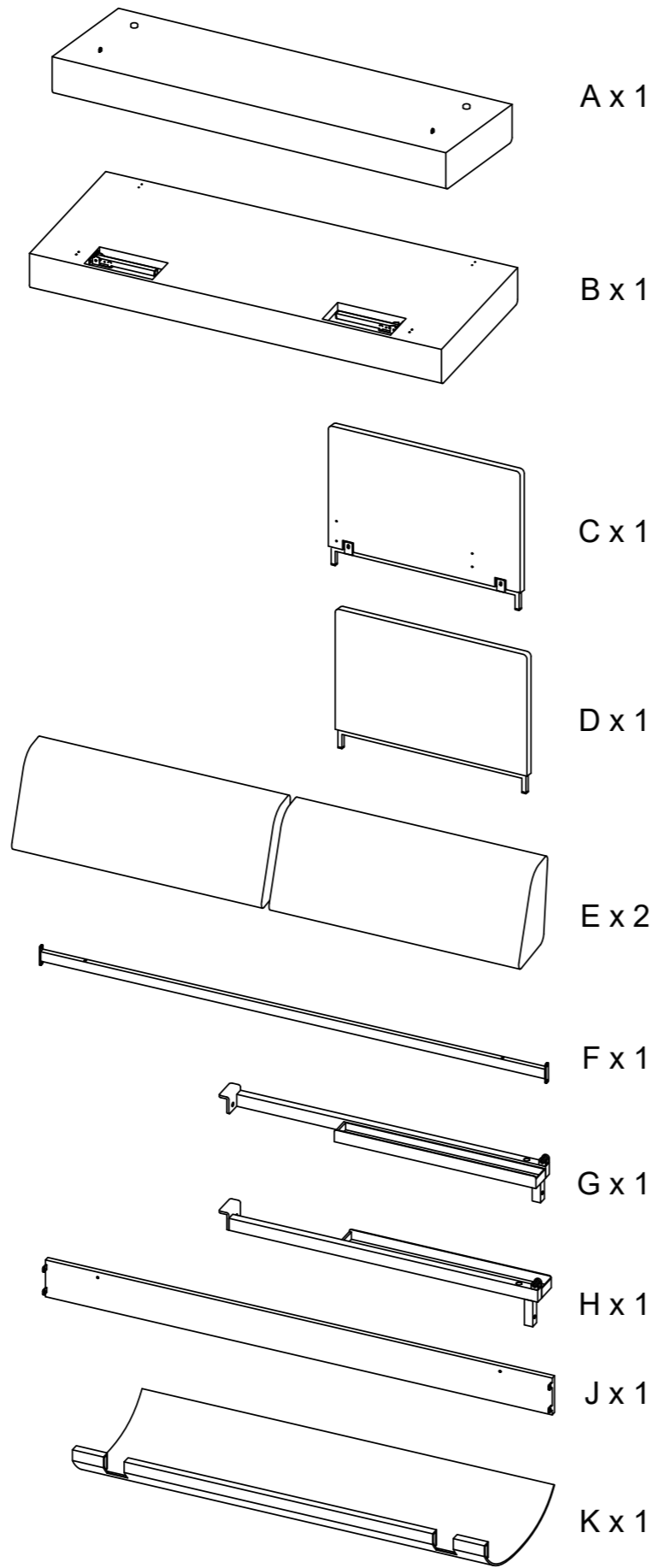
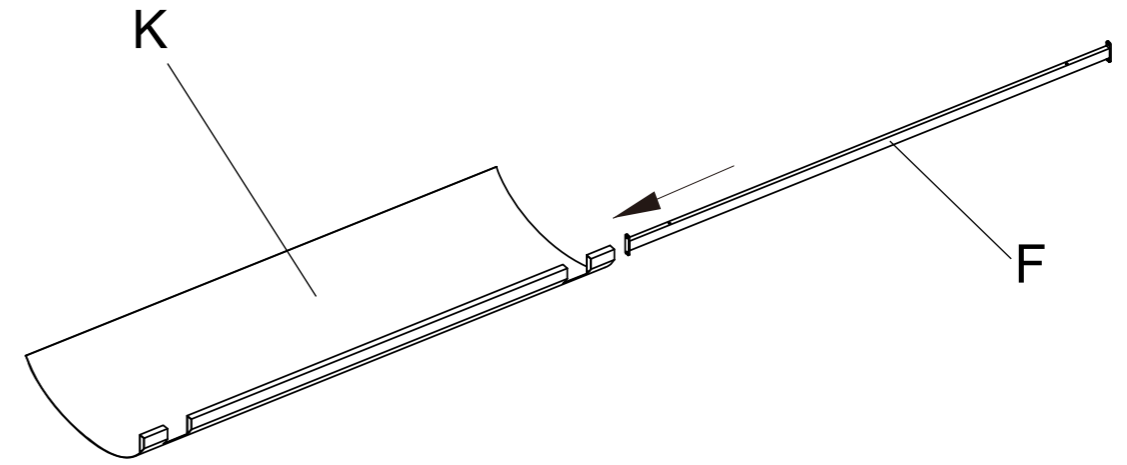




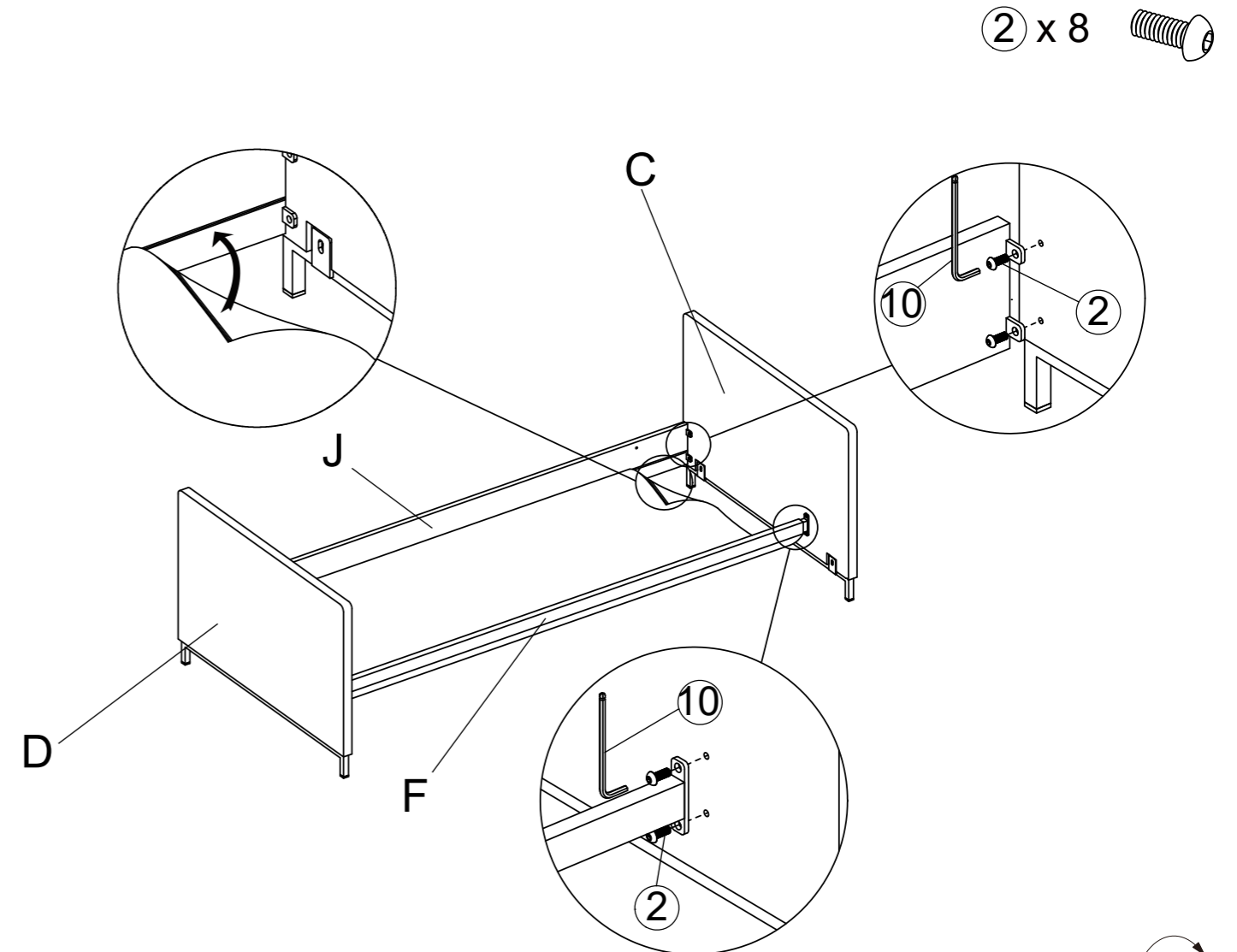
- ① x 4
- ② x 14
- ③ x 2
- ④ x 2
- ⑤ x 2
- ⑥ x 2
- ⑦ x 2
- ⑧ x 2
- ⑨ x 1
- ⑩ x 1
- ⑪ x 1



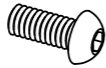
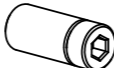

1

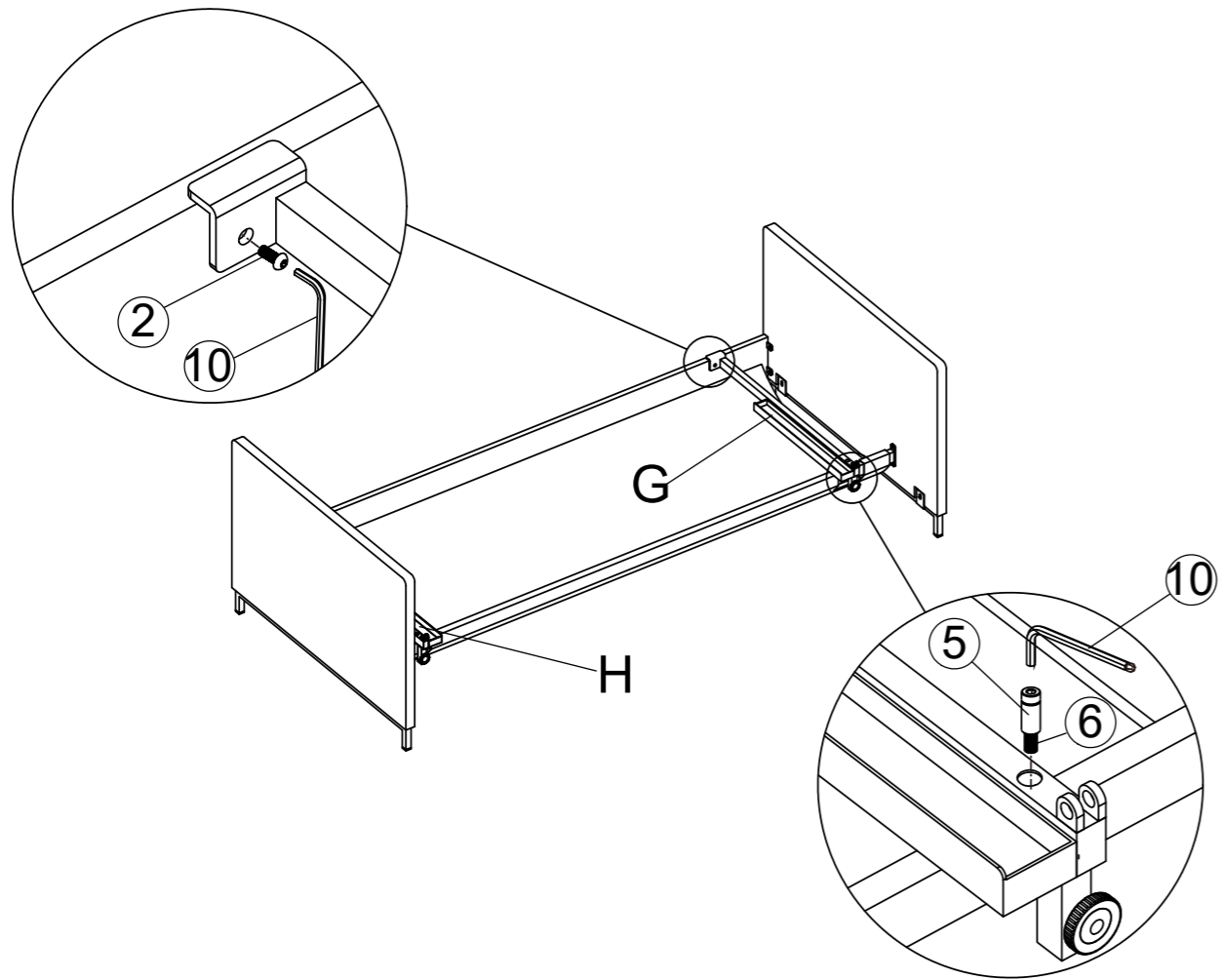


2






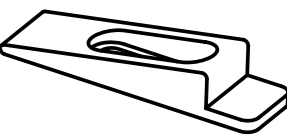
3

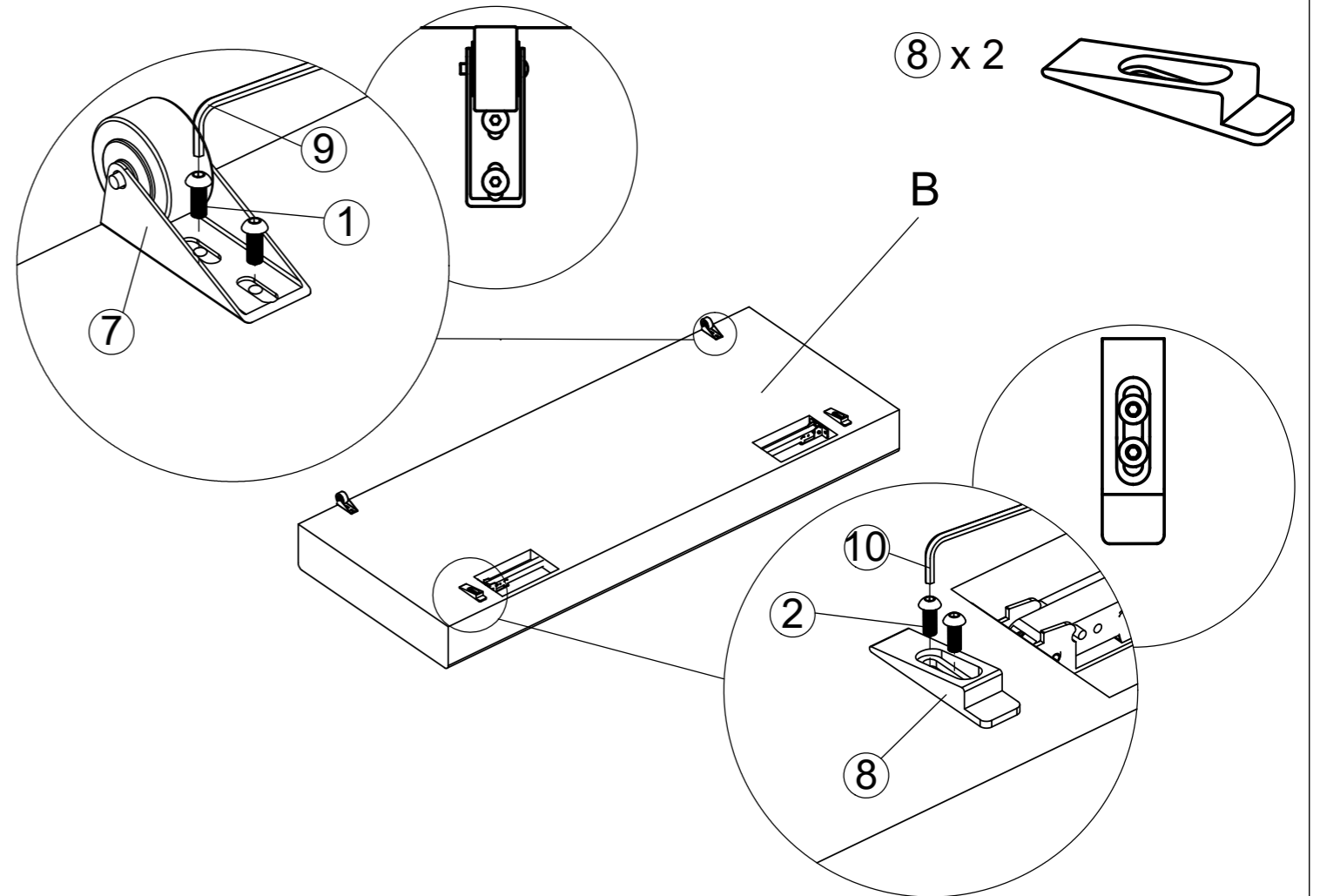
② x 2  ⑤ x 2  ⑥ x 2 



069907

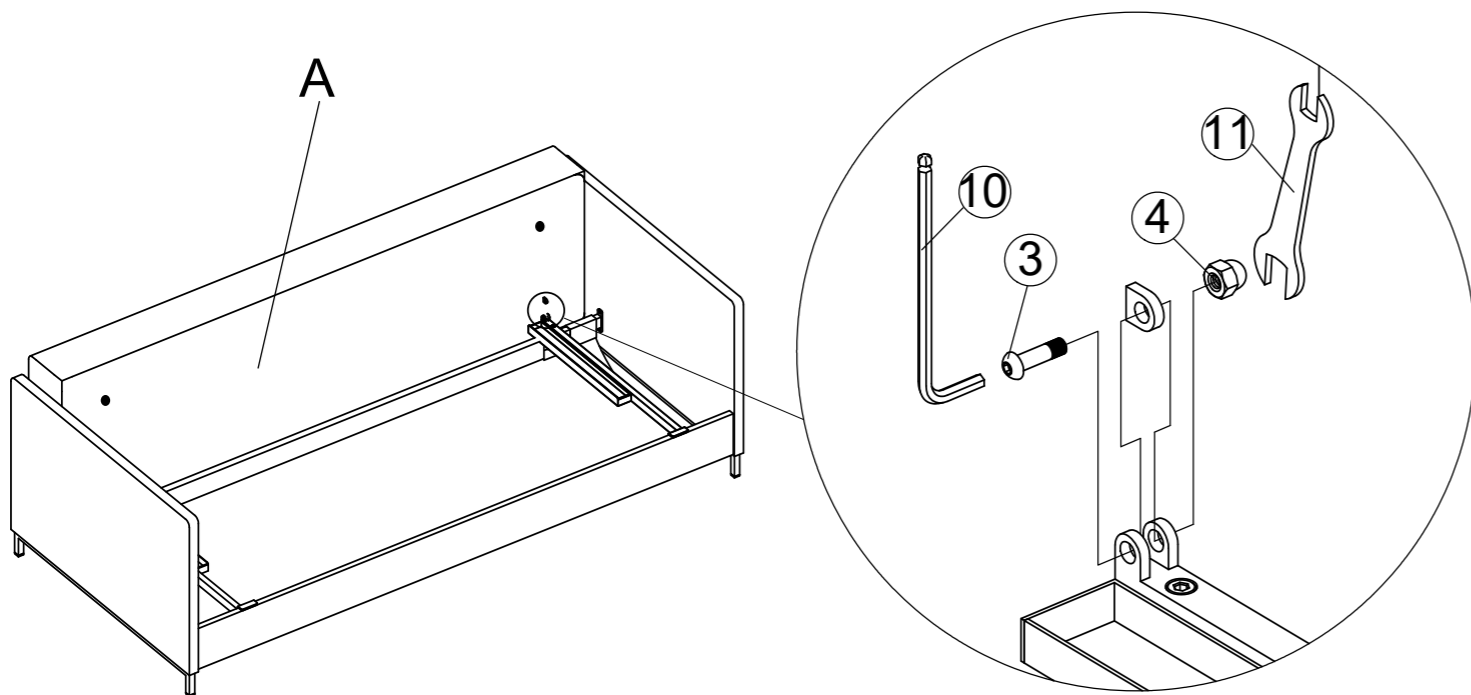
5

① x 4  ② x 4  ⑦ x 2 
 ⑧ x 2 

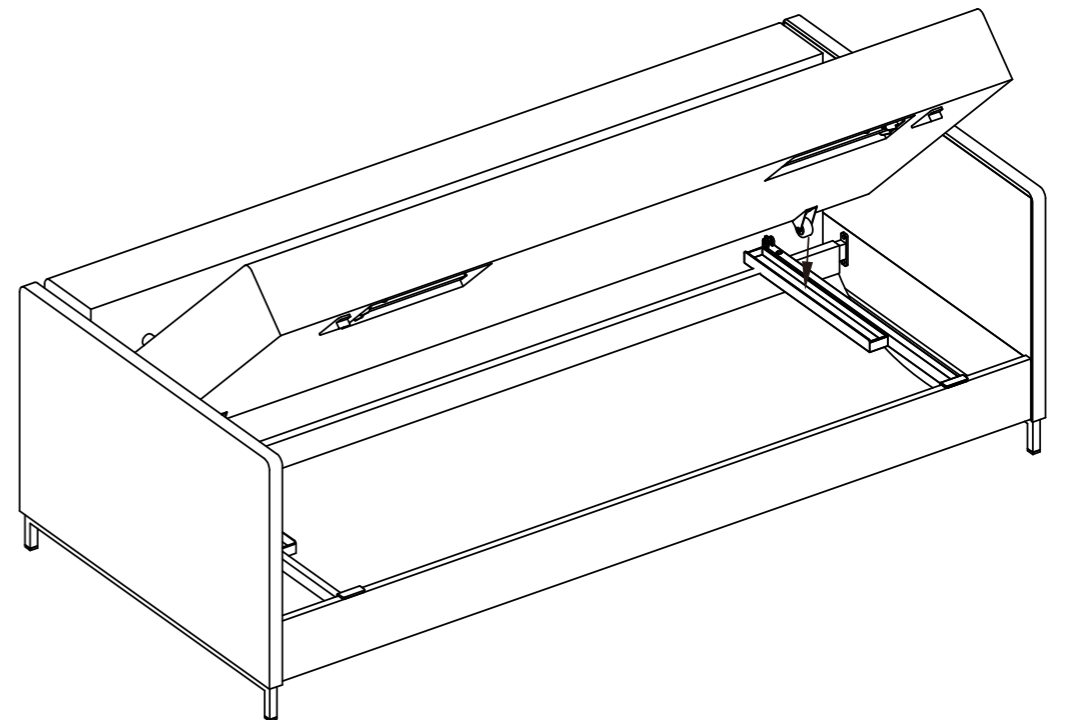


4

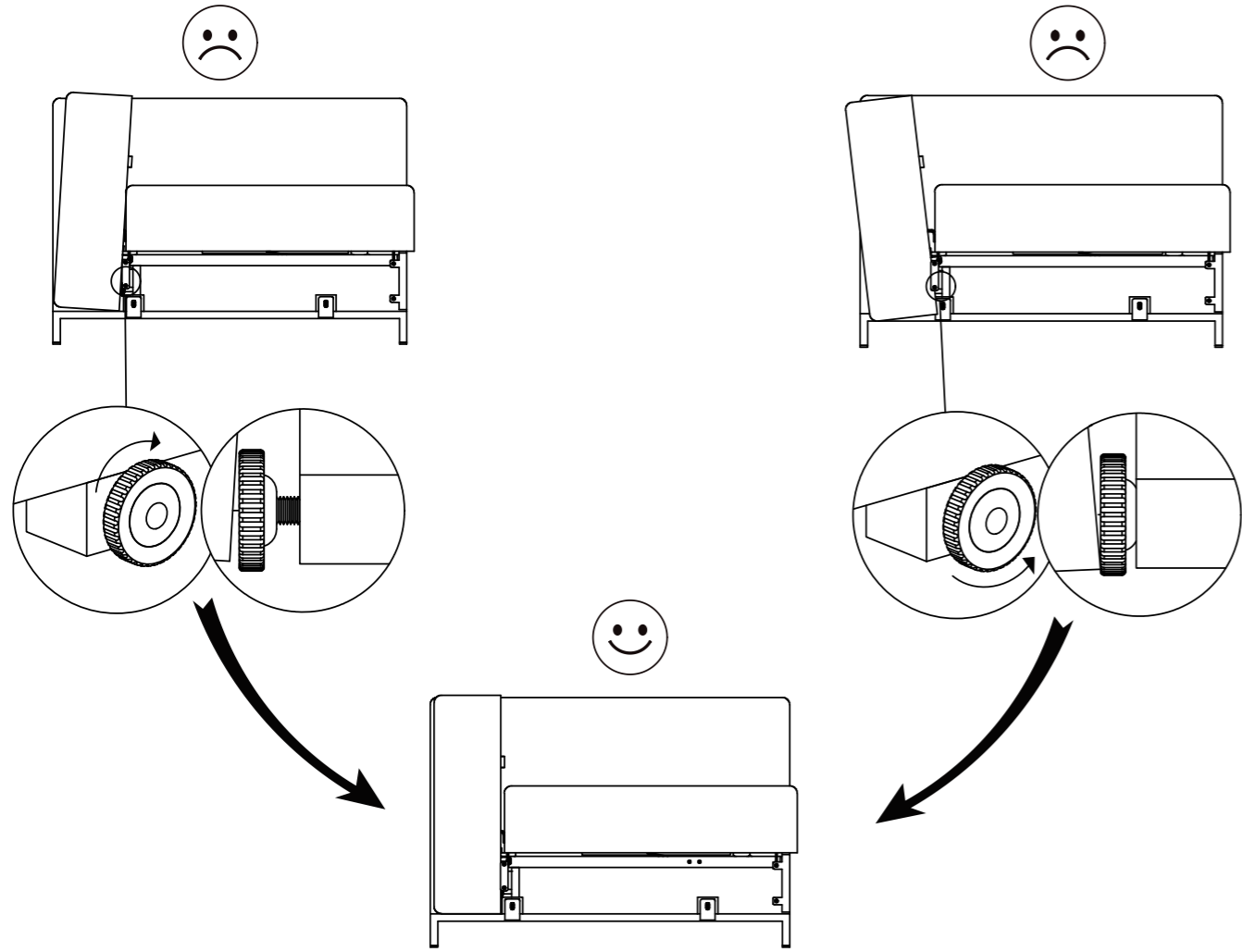
③ x 2  ④ x 2 



6

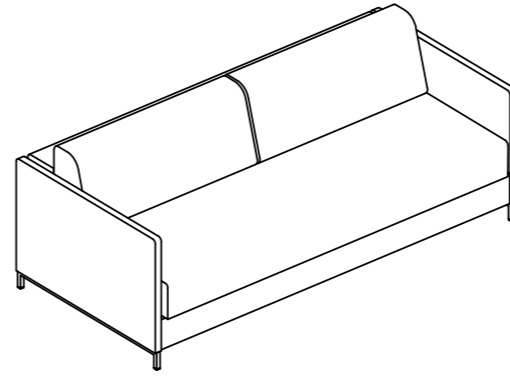


7

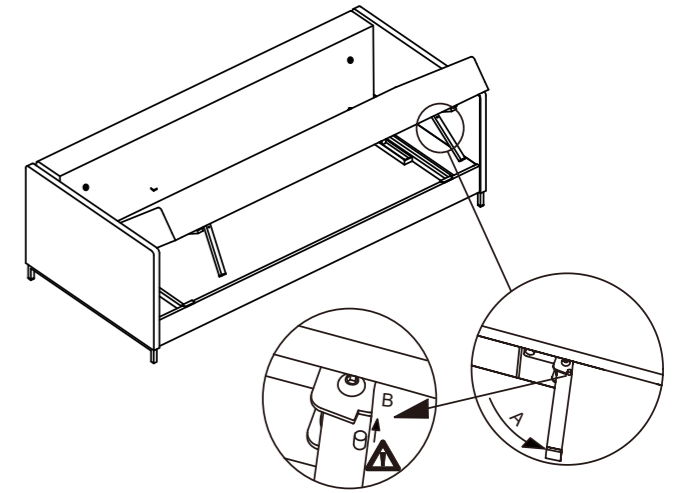


069907

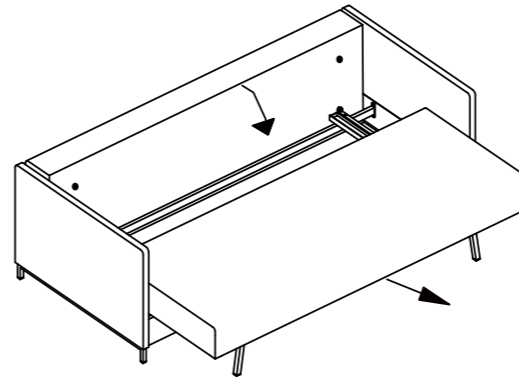
1



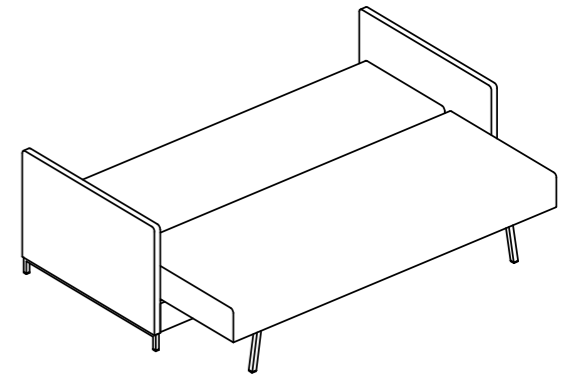
2



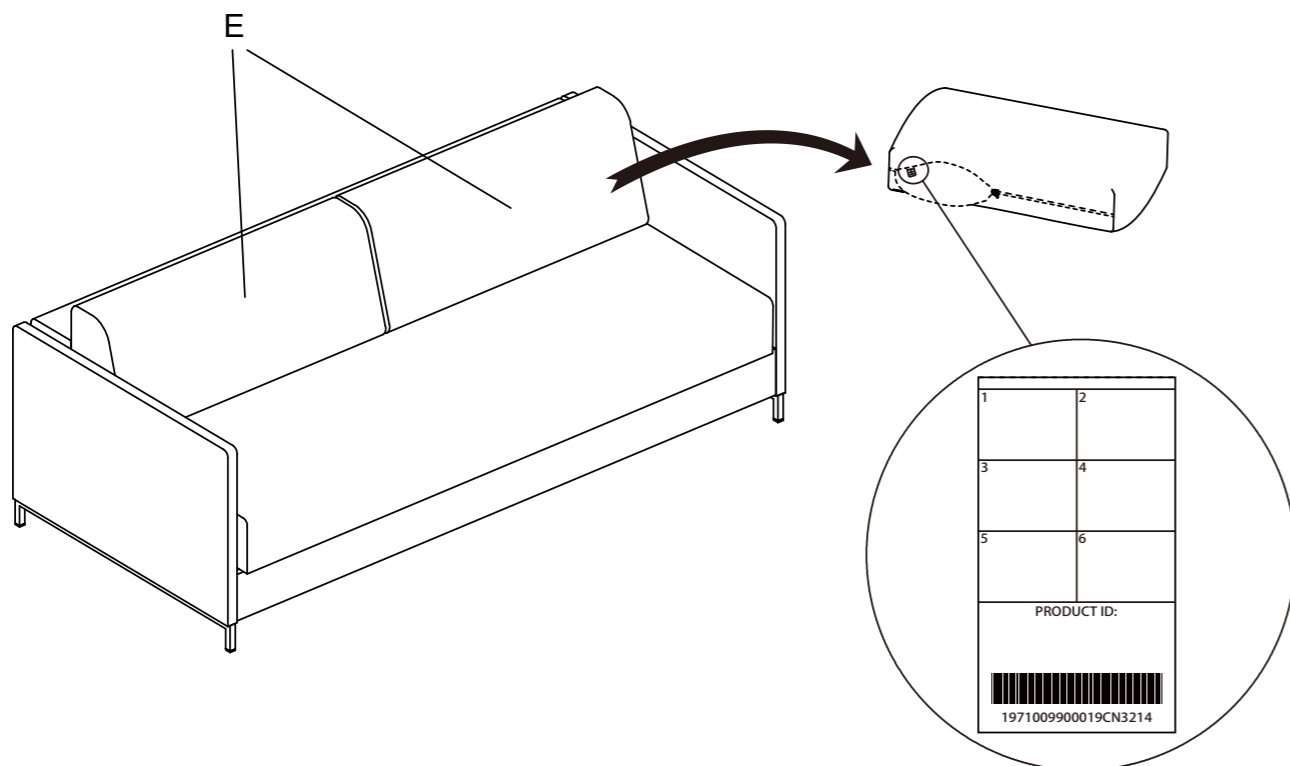
3



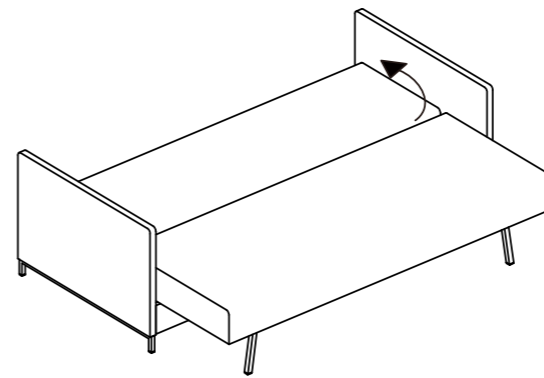
4



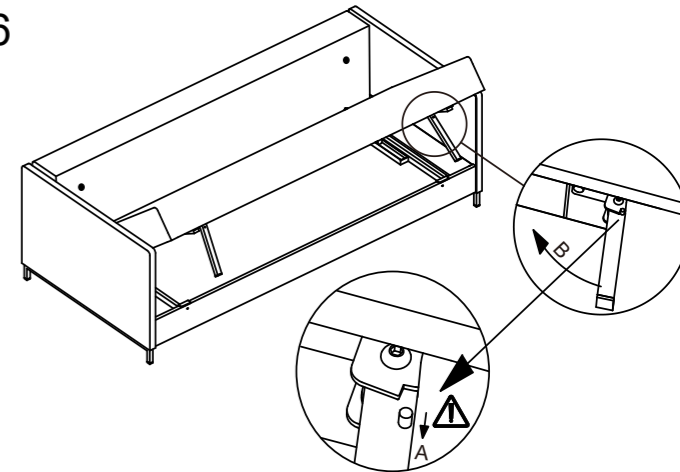
8



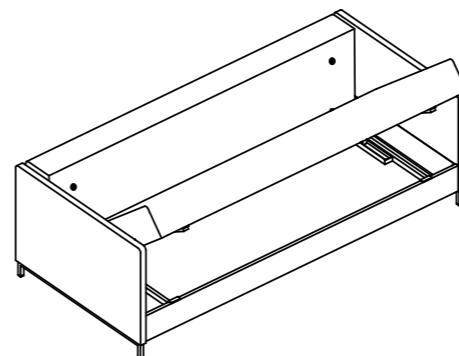
5



6



7



8

