



① x 10

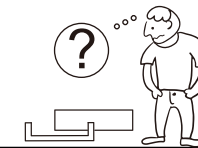
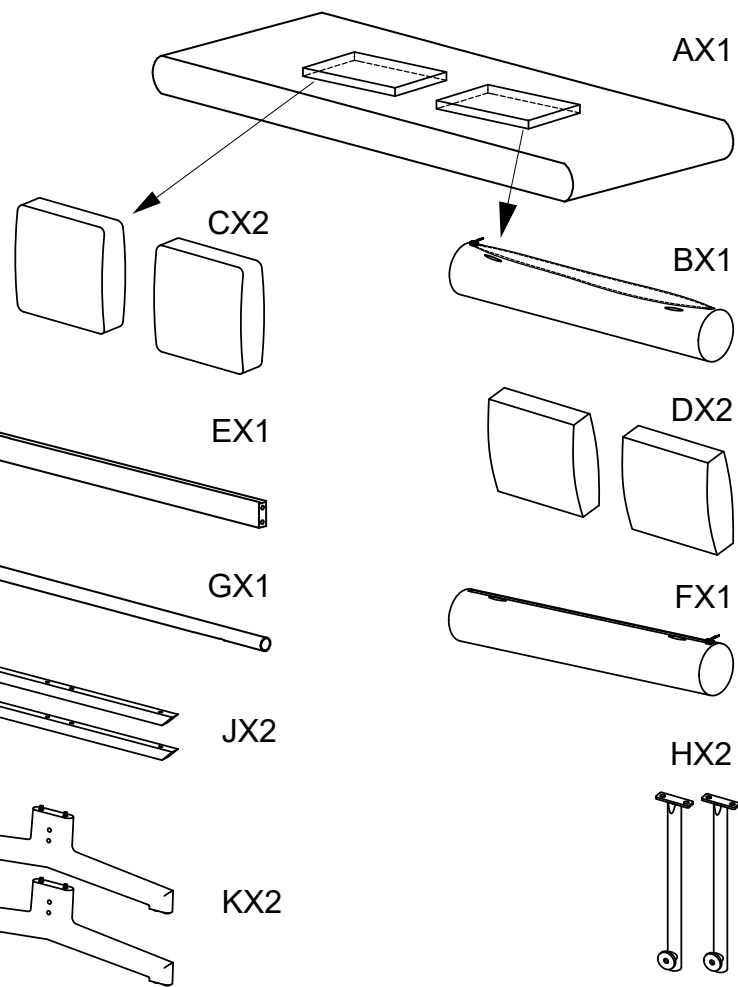
② x 4

③ x 8

④ x 4

⑤ x 2

⑥ x 1



[www.innovationliving.com](http://www.innovationliving.com)

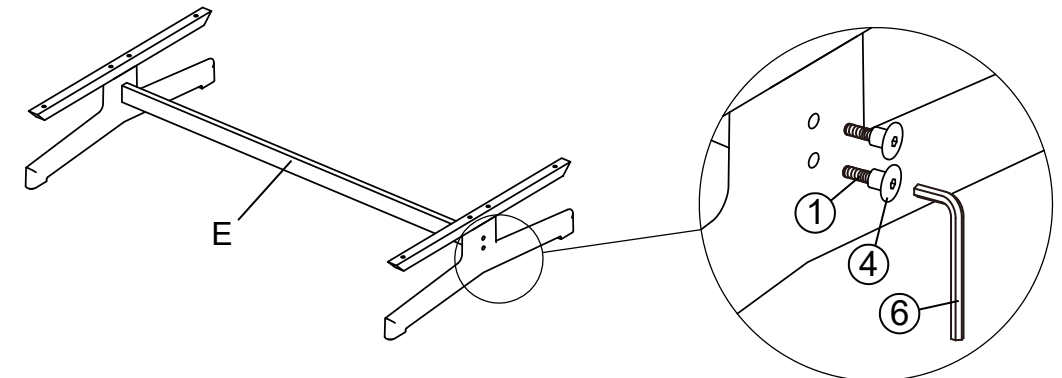


069711

2

① x 4

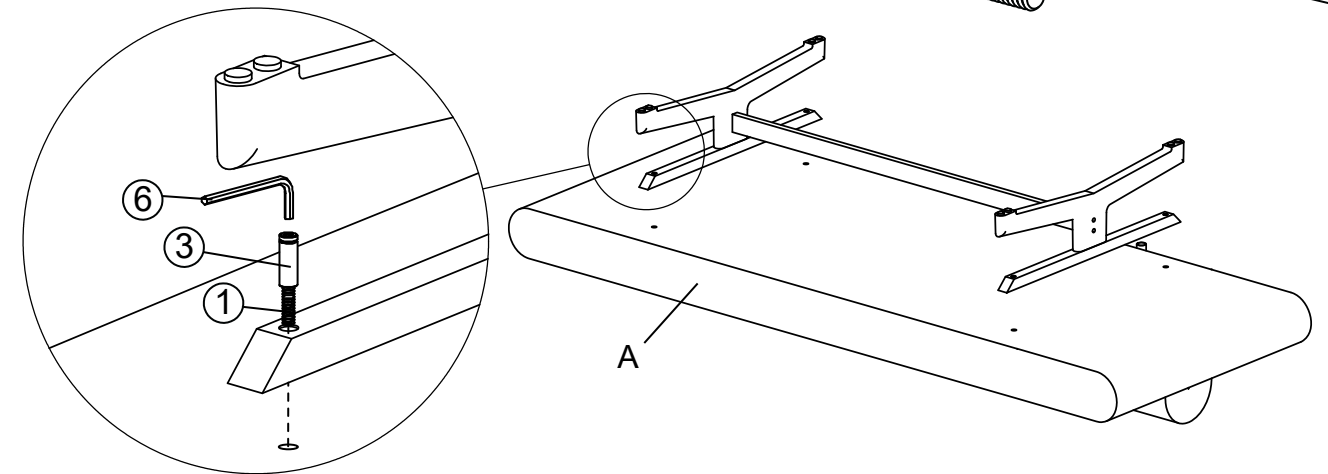
④ x 4



3

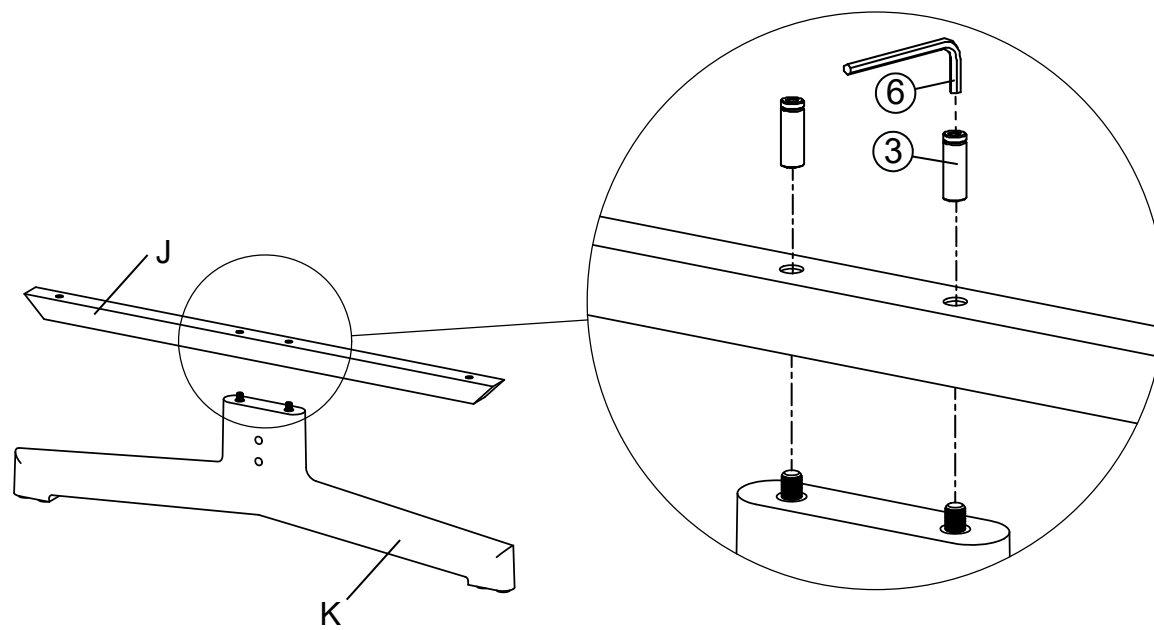
① x 4

③ x 4



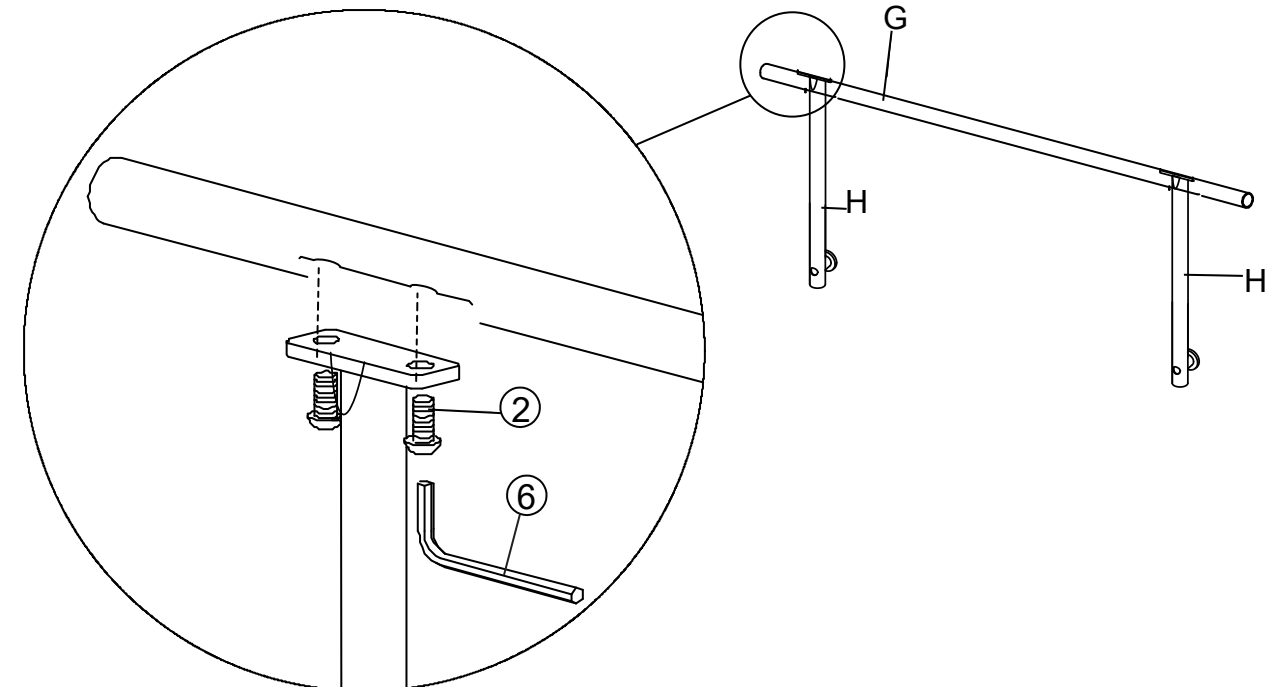
1

③ x 4

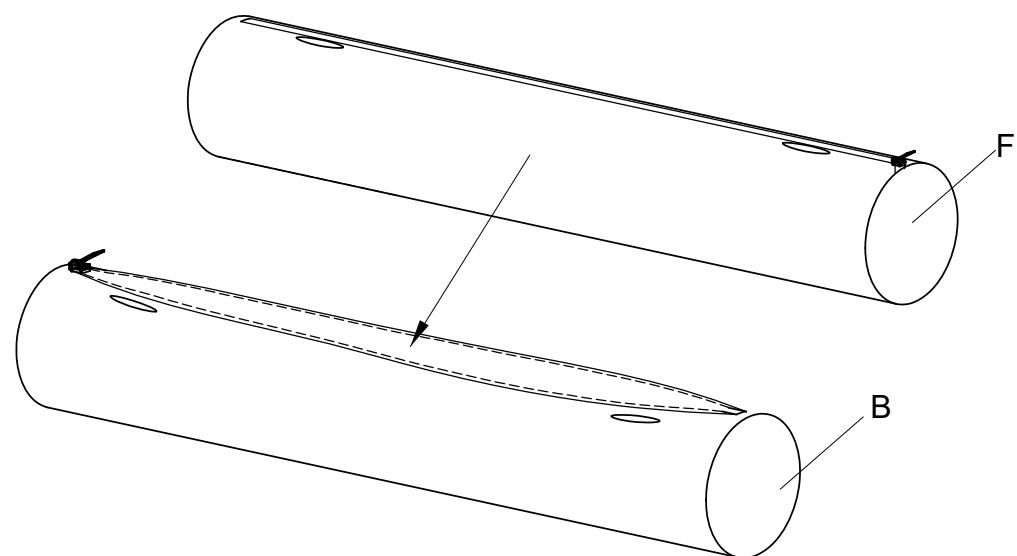


4

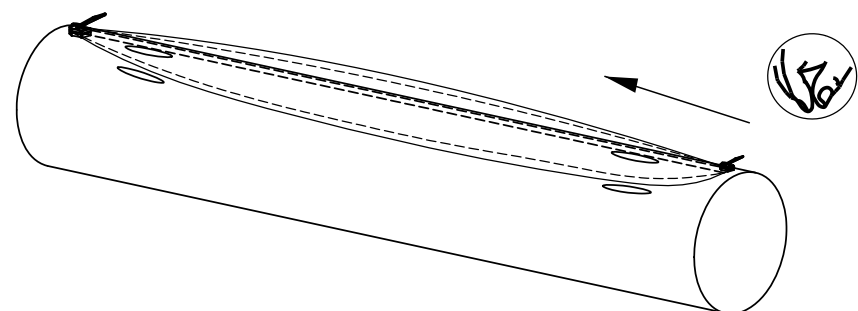
② x 4



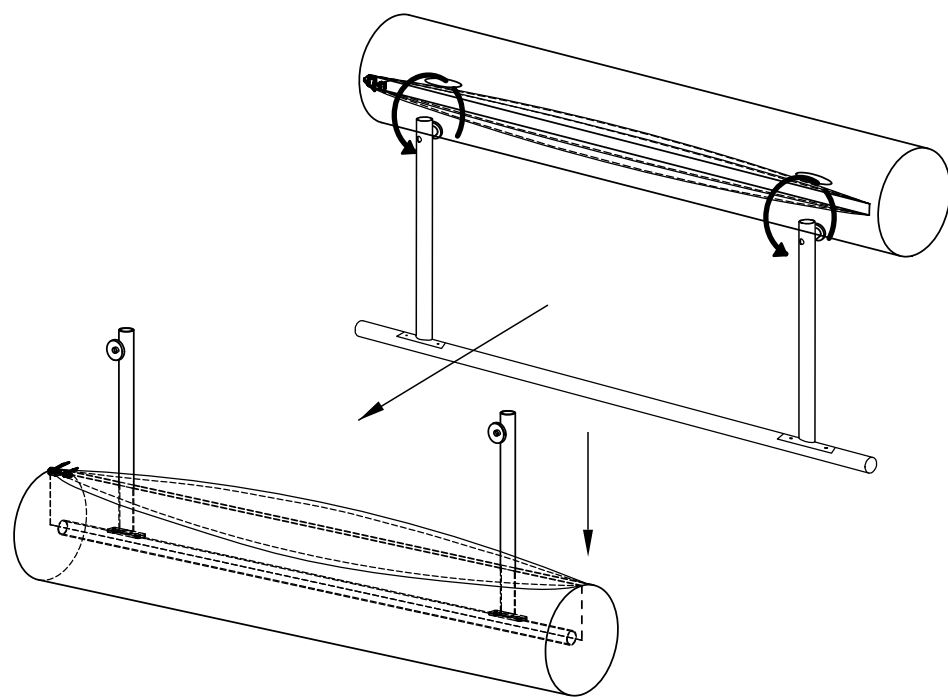
5



6

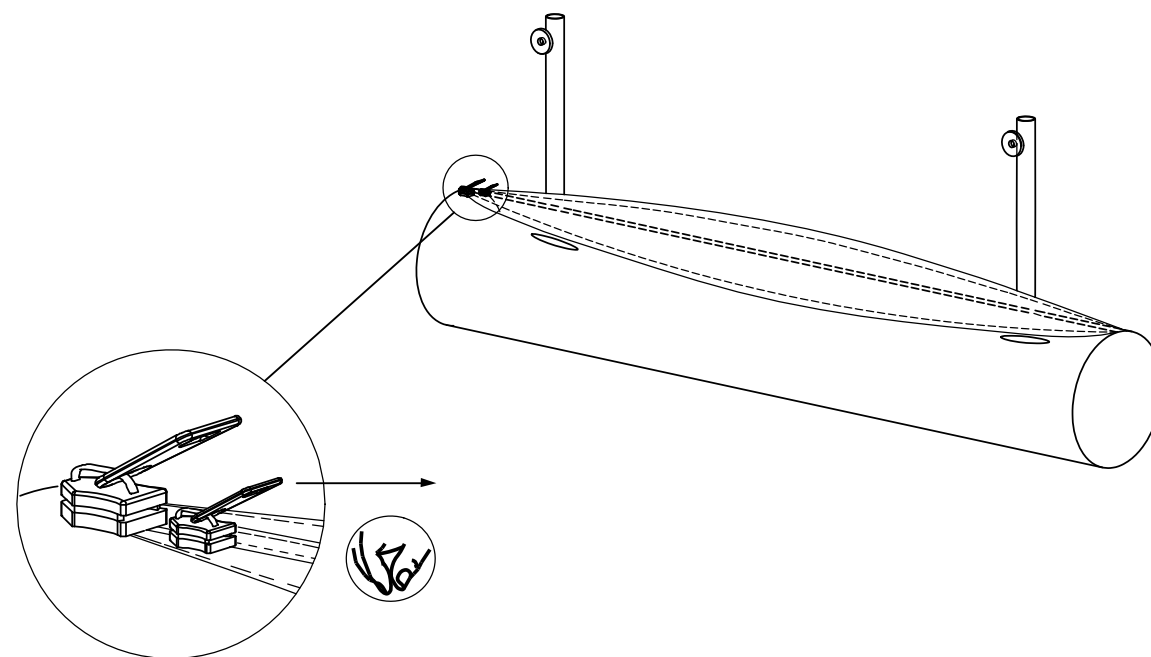


7

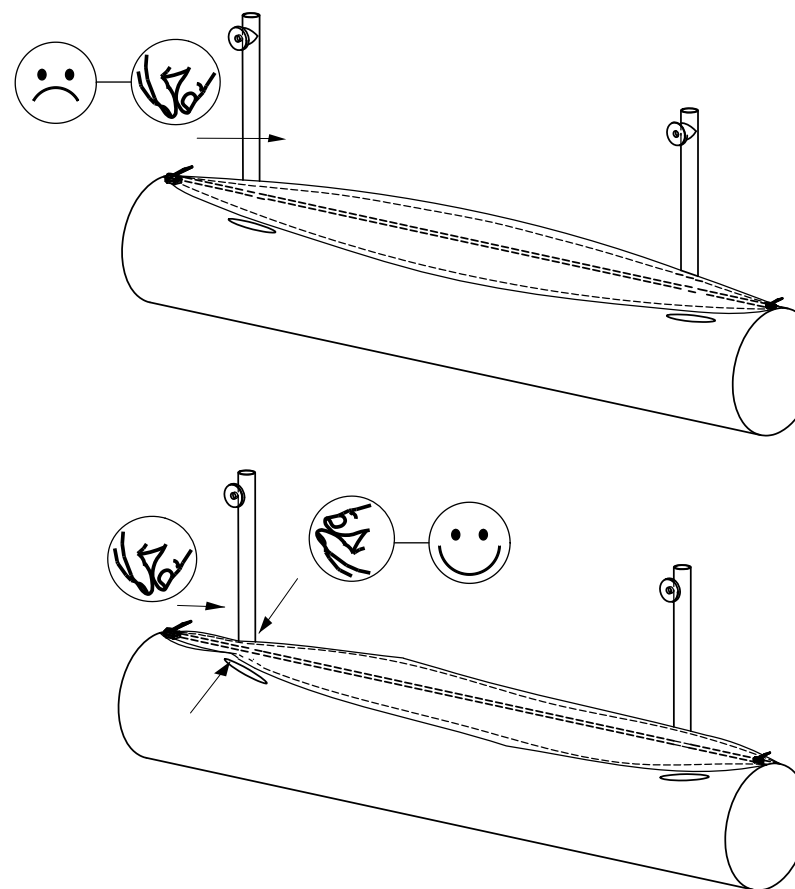


8

069711

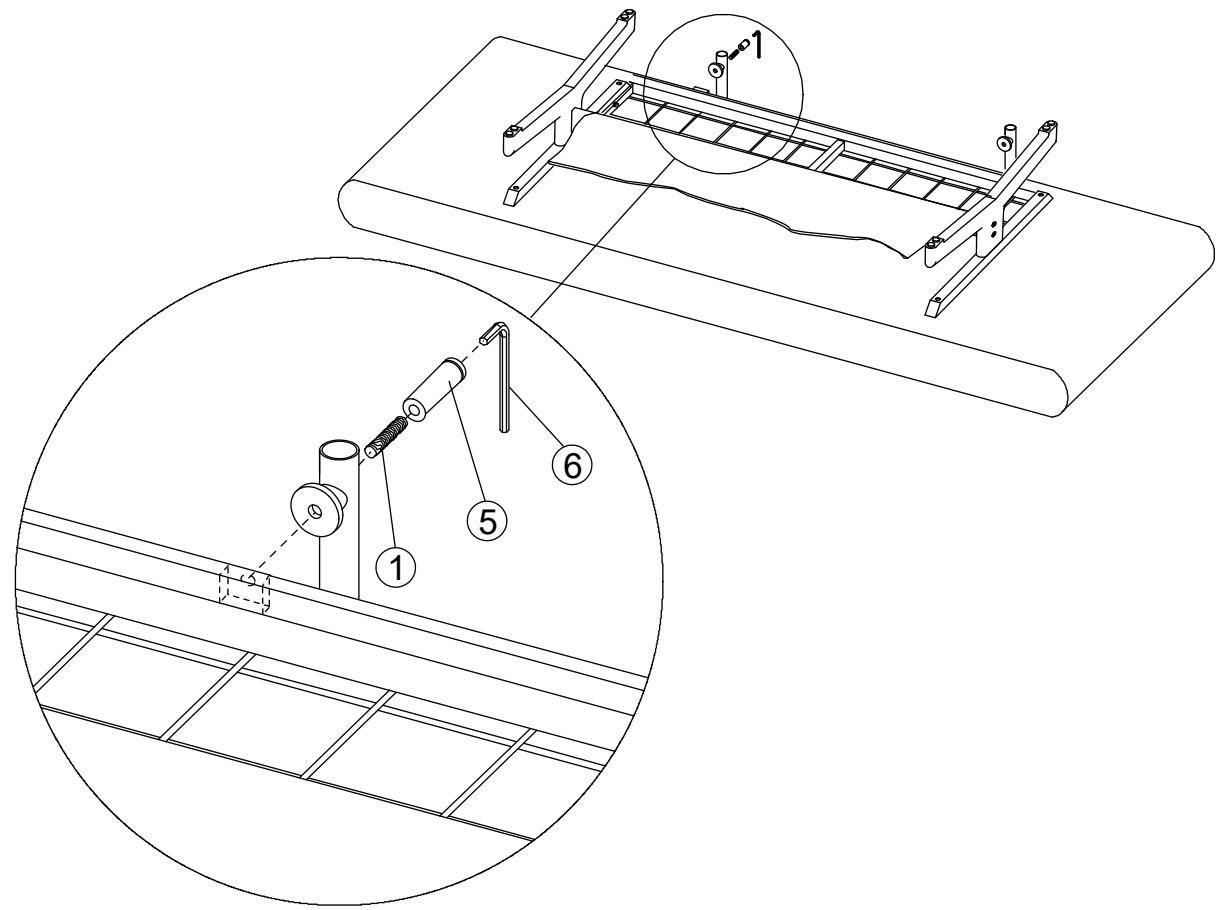


9



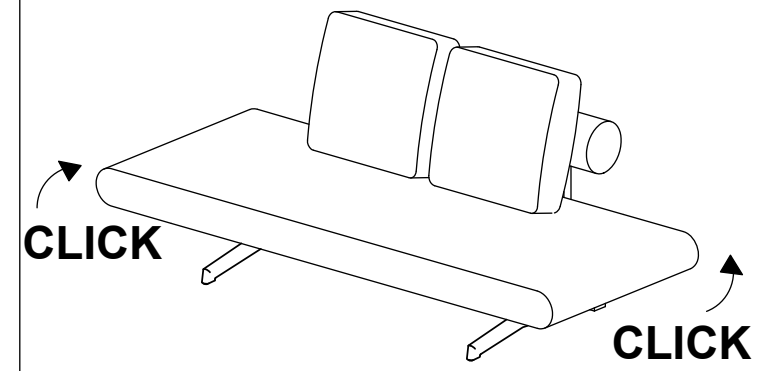
10

① x 2  ⑤ x 2 

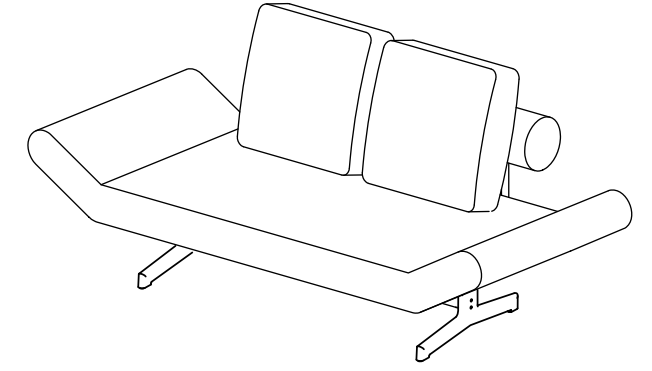


069711

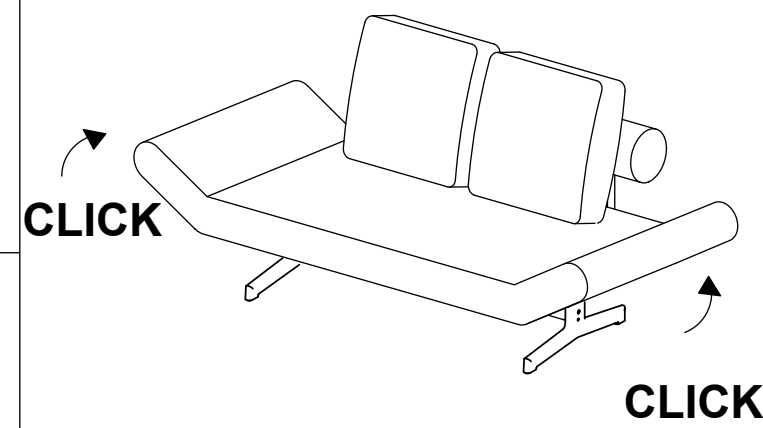
1



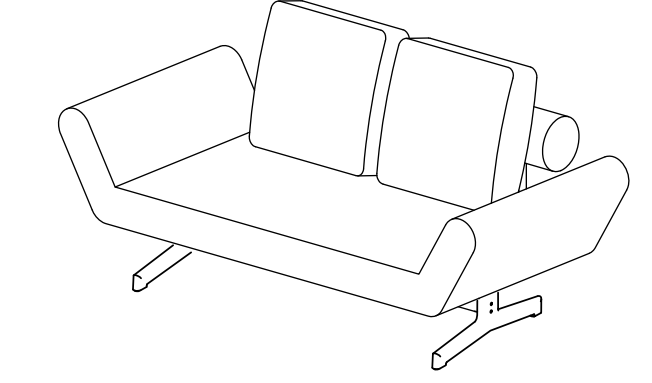
2



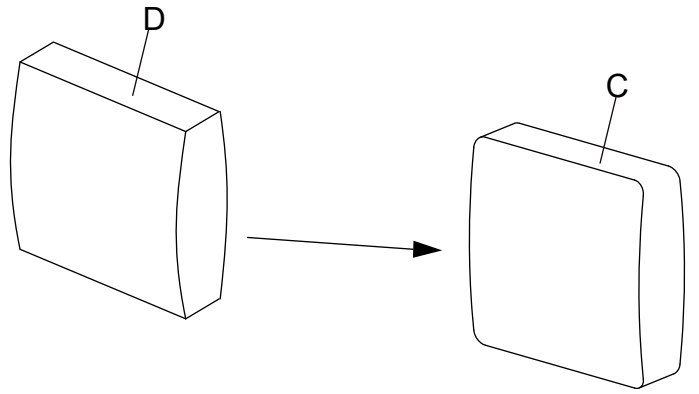
3



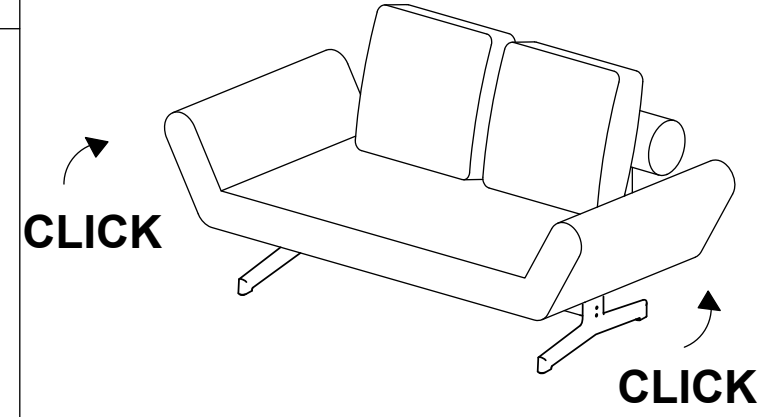
4



11



5



6

