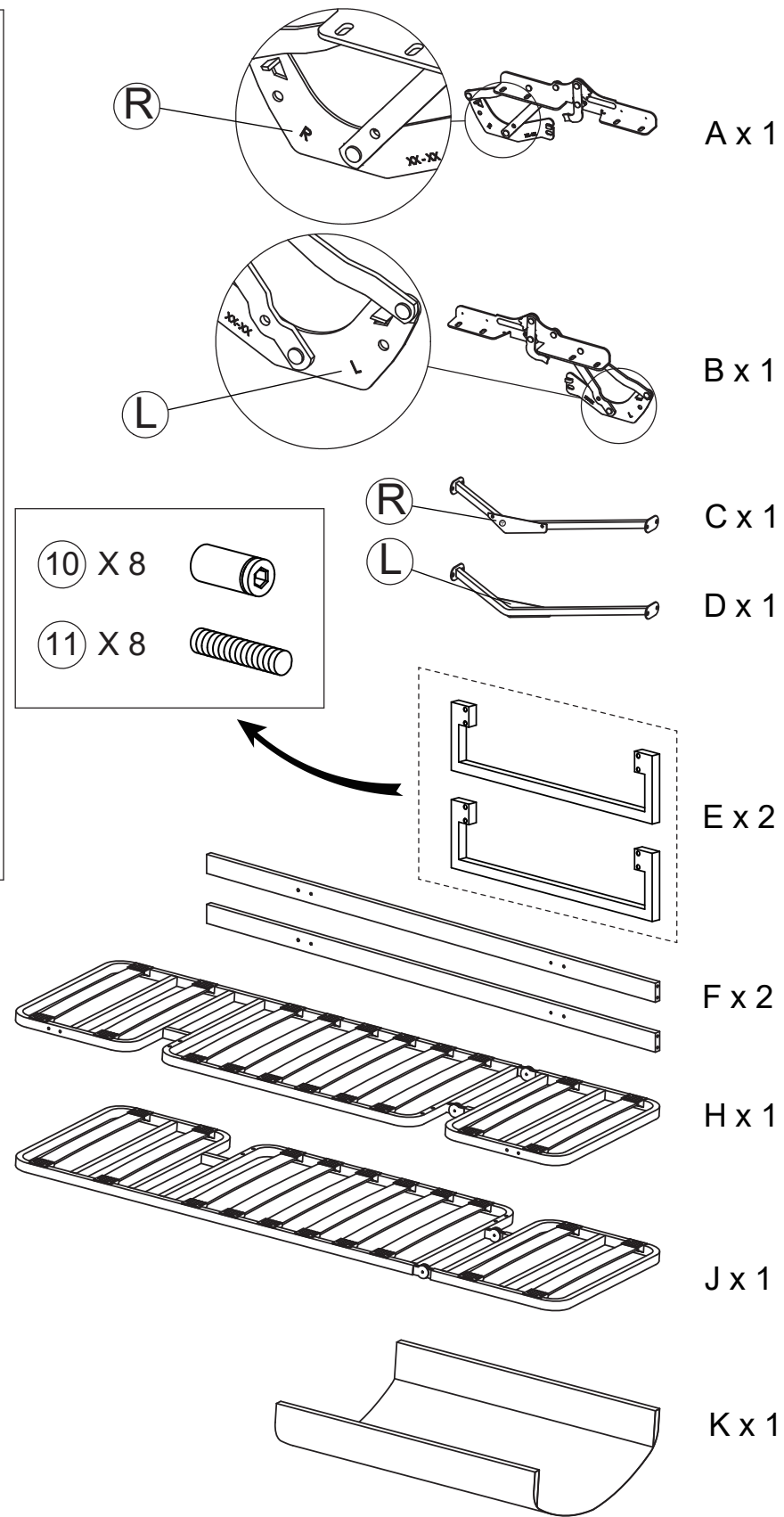
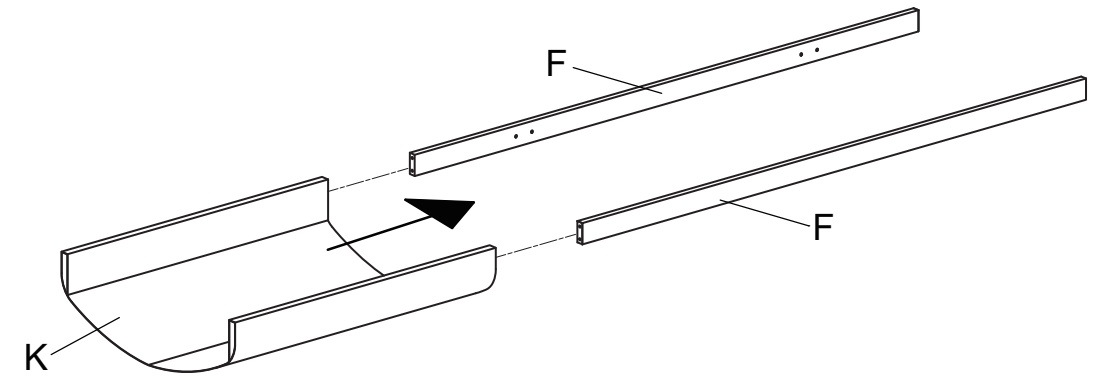


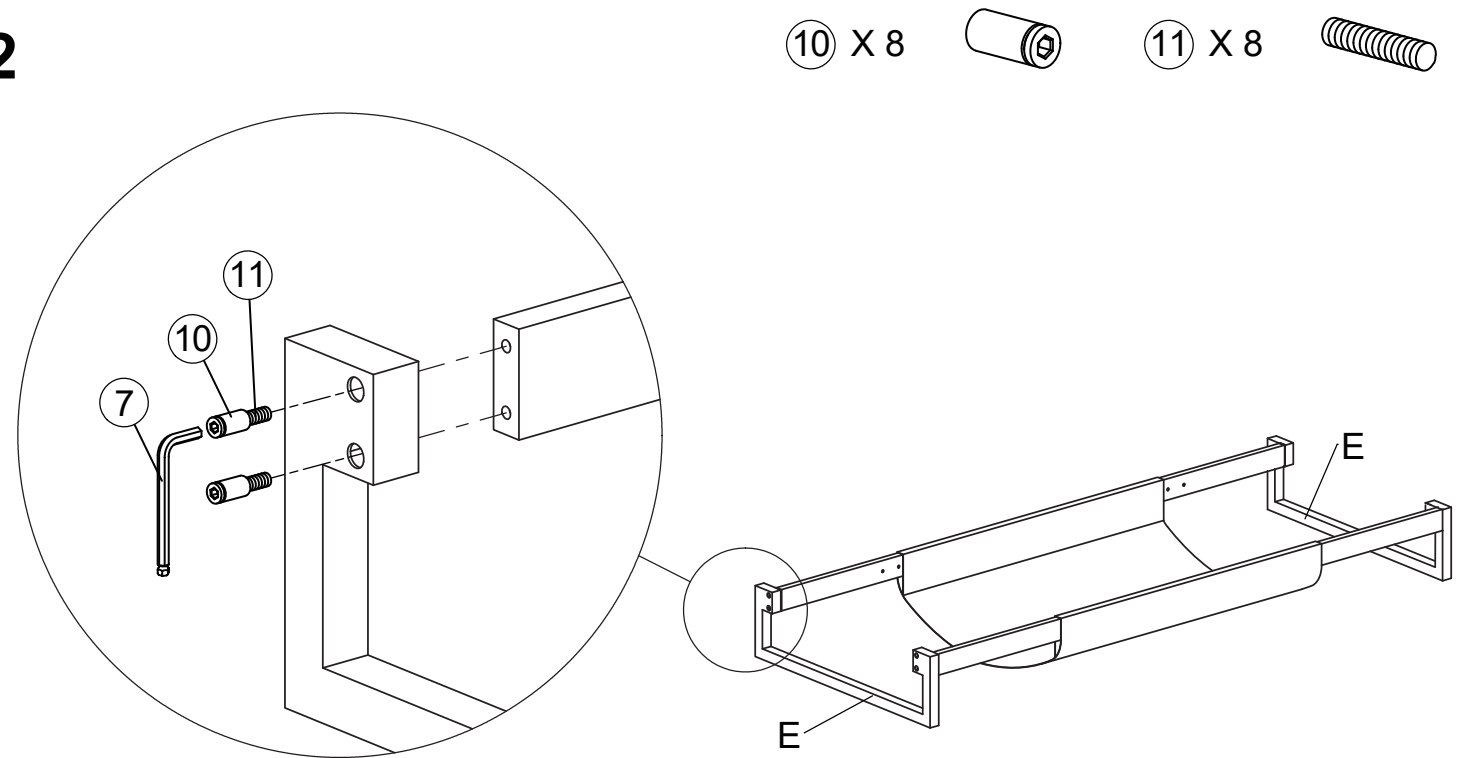
- ① X 20
- ② X 2
- ③ X 8
- ④ X 8
- ⑤ X 2
- ⑥ X 1
- ⑦ X 1
- ⑧ X 2
- ⑨ X 4




# 1

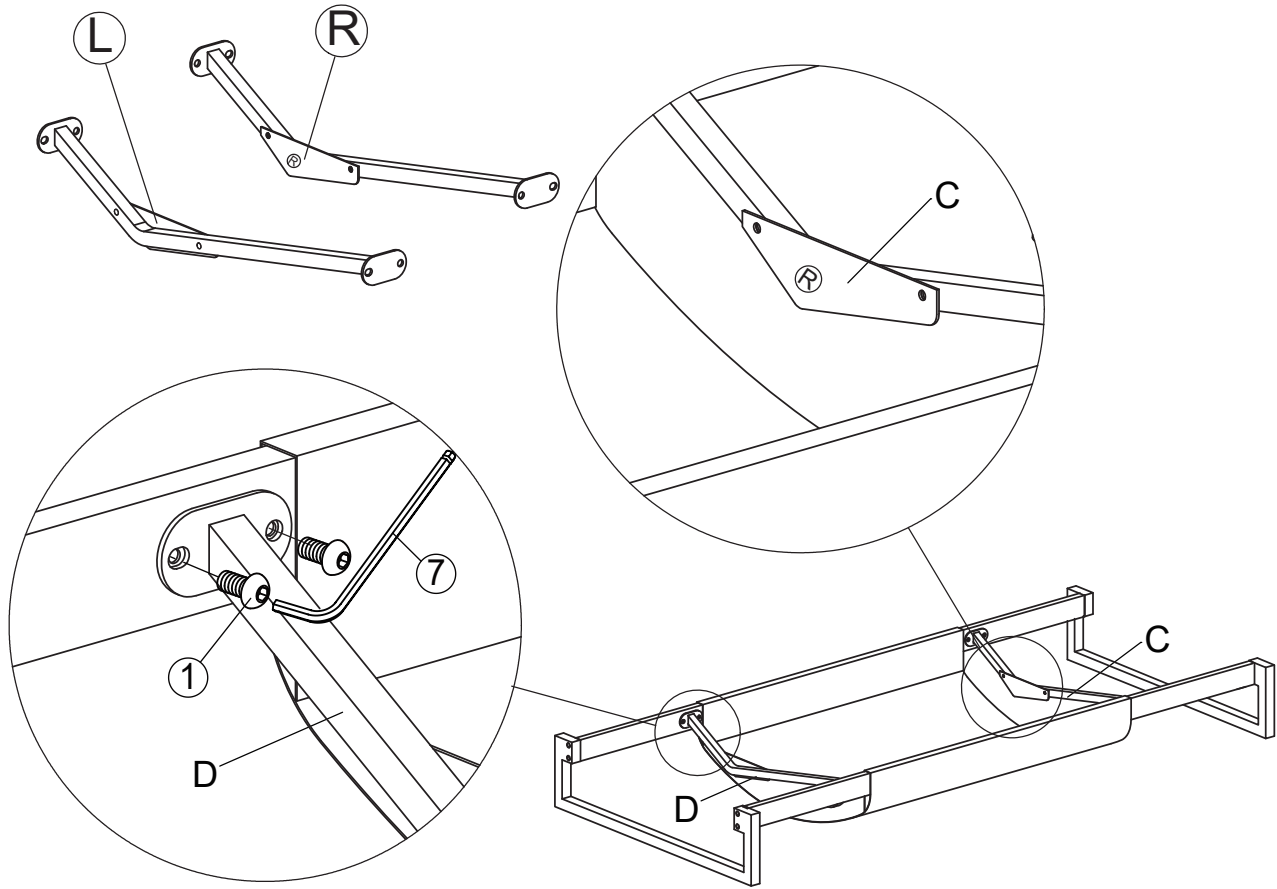


# 2




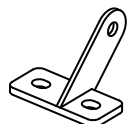
3

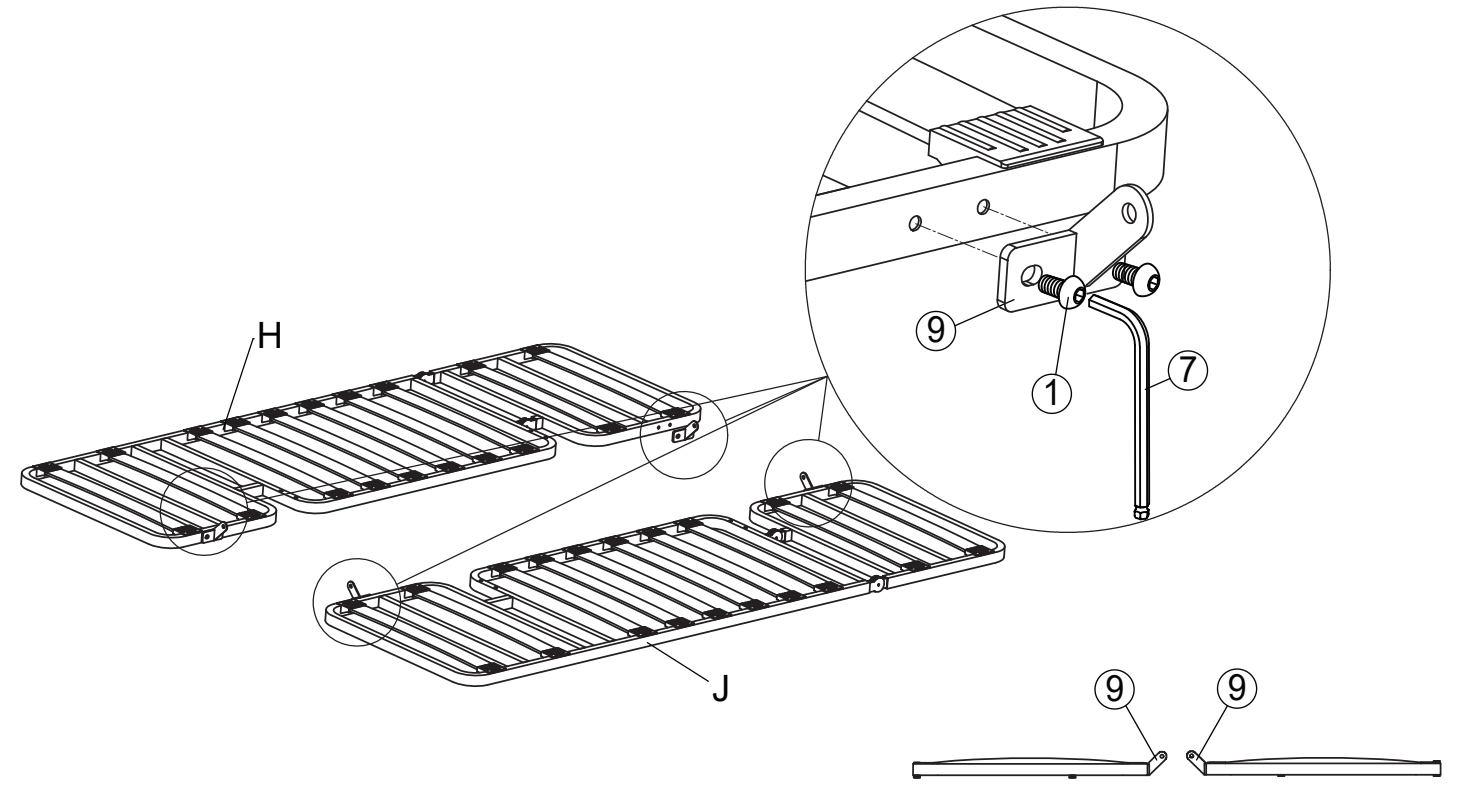
① X 8 



5

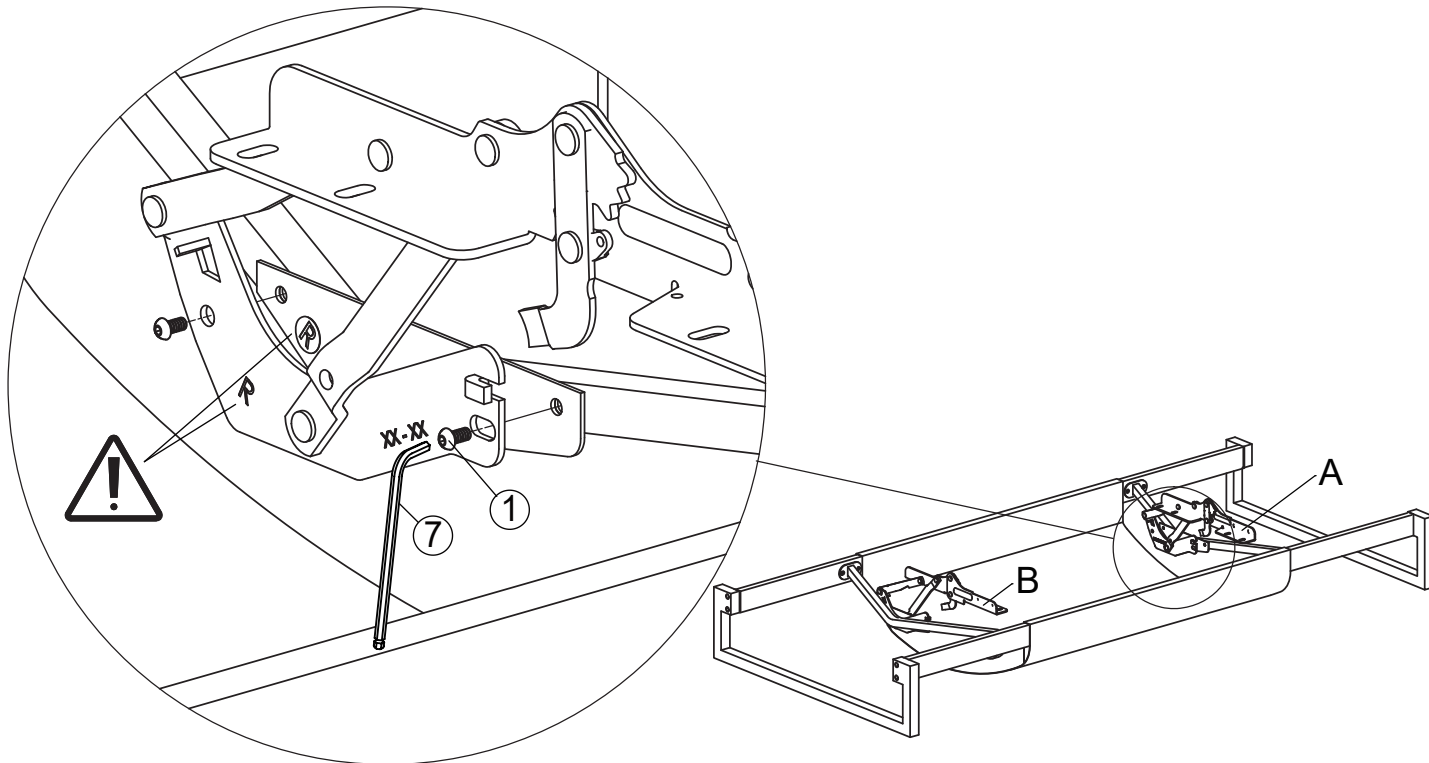
① X 8 

⑨ X 4 




4


① X 4 

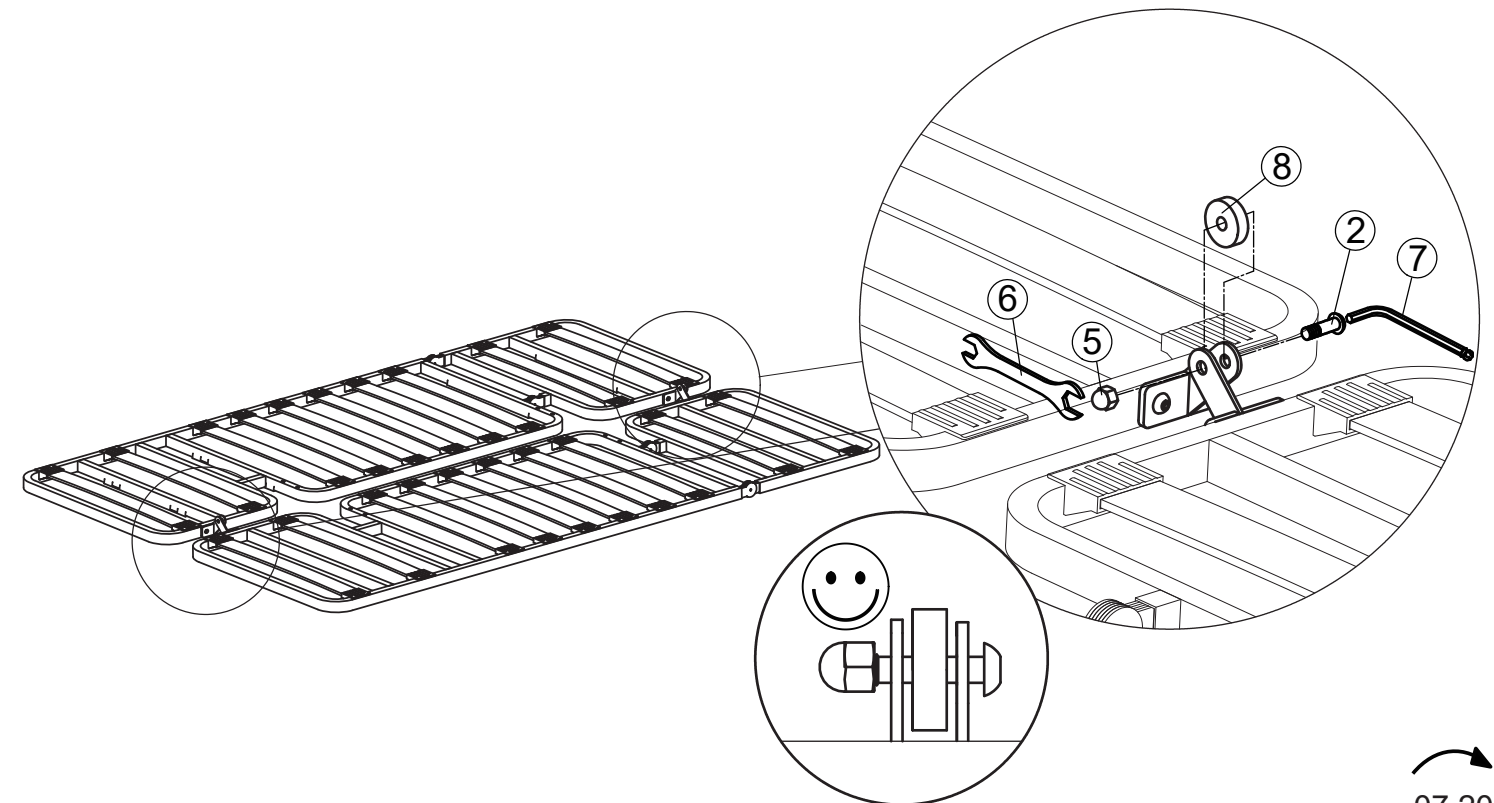




6

② X 2 

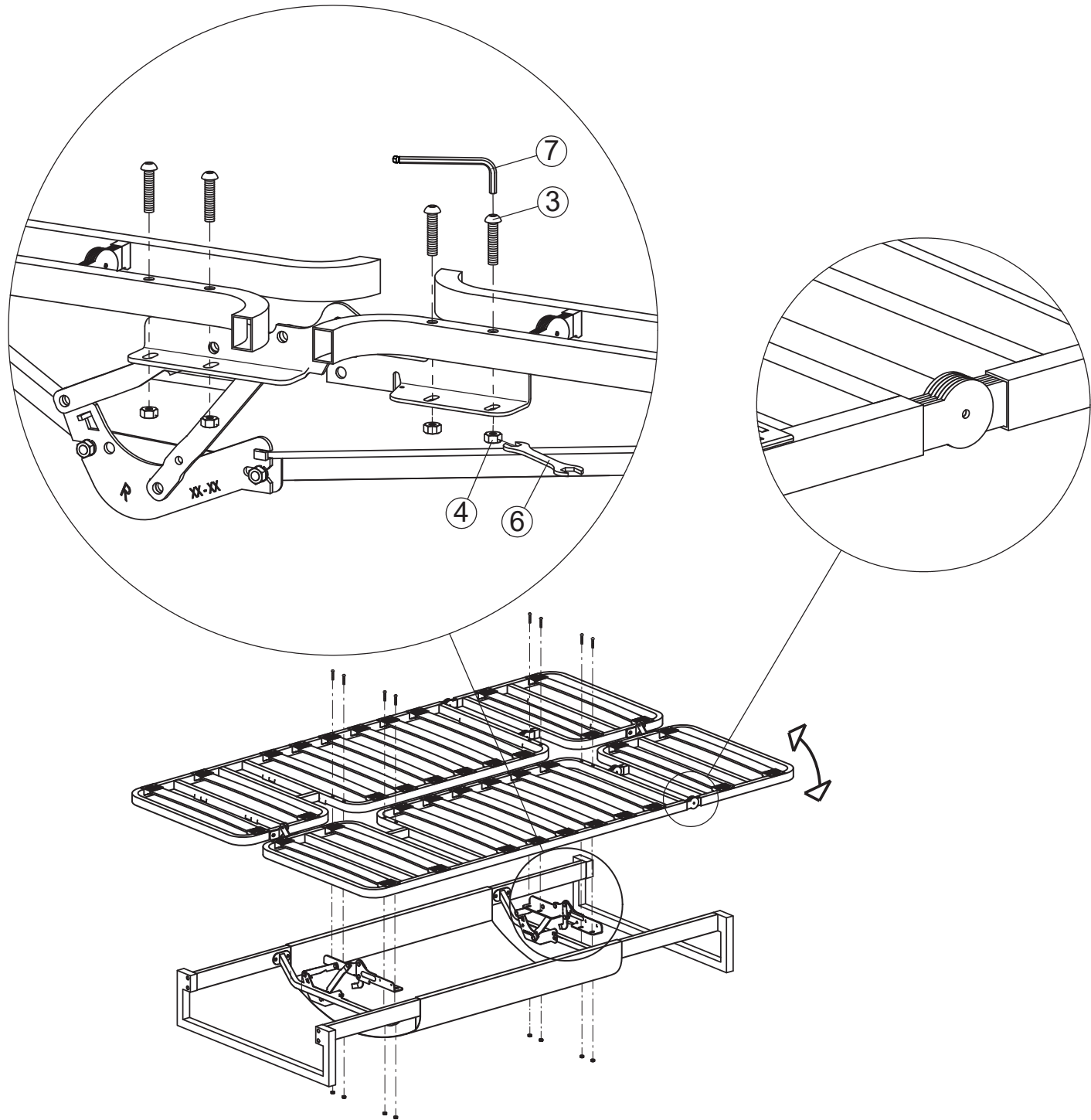
⑤ X 2 

⑧ X 2 




③ X 8  ④ X 8 

7-A



7-B

③ X 8  ④ X 8 