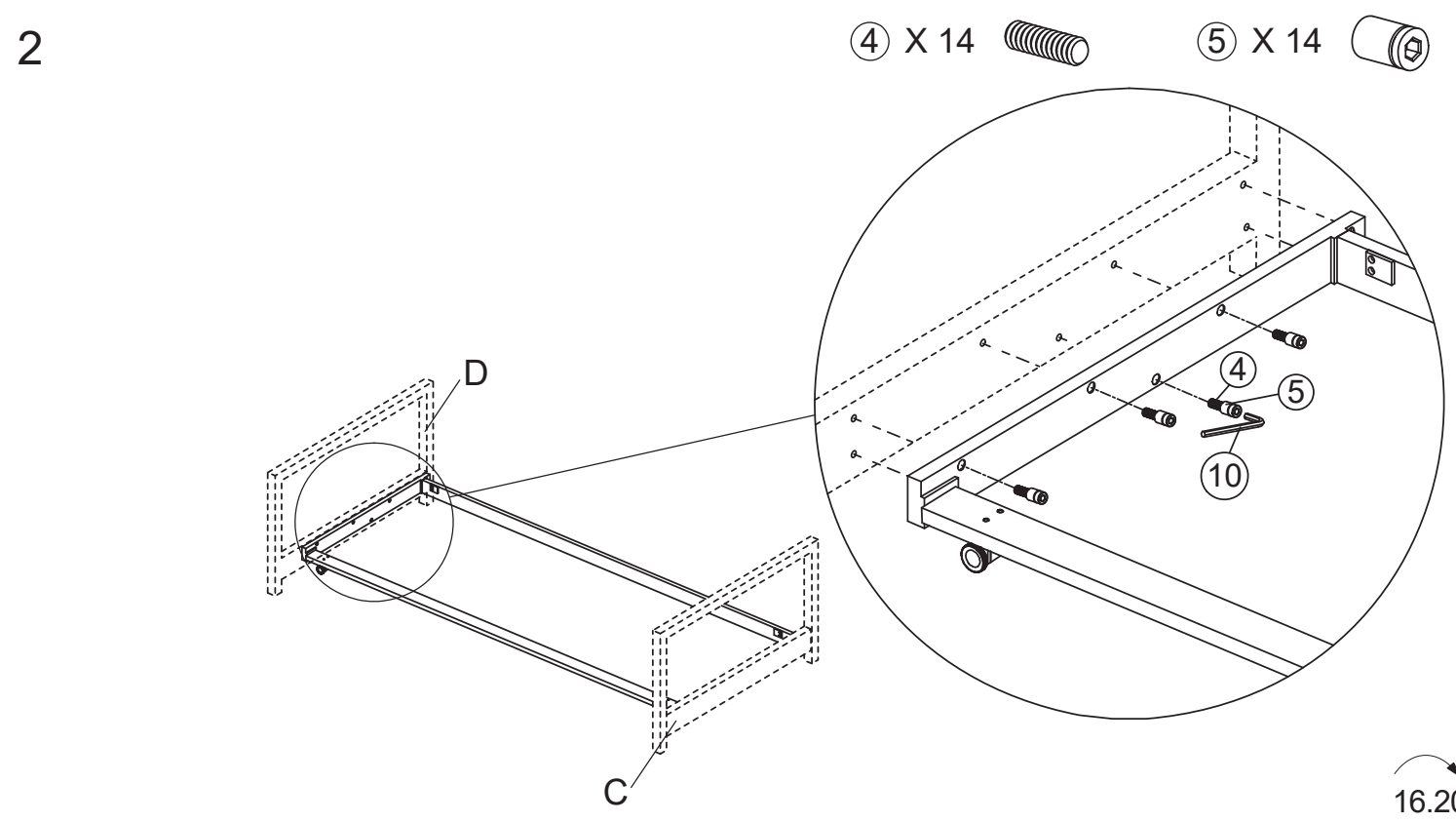
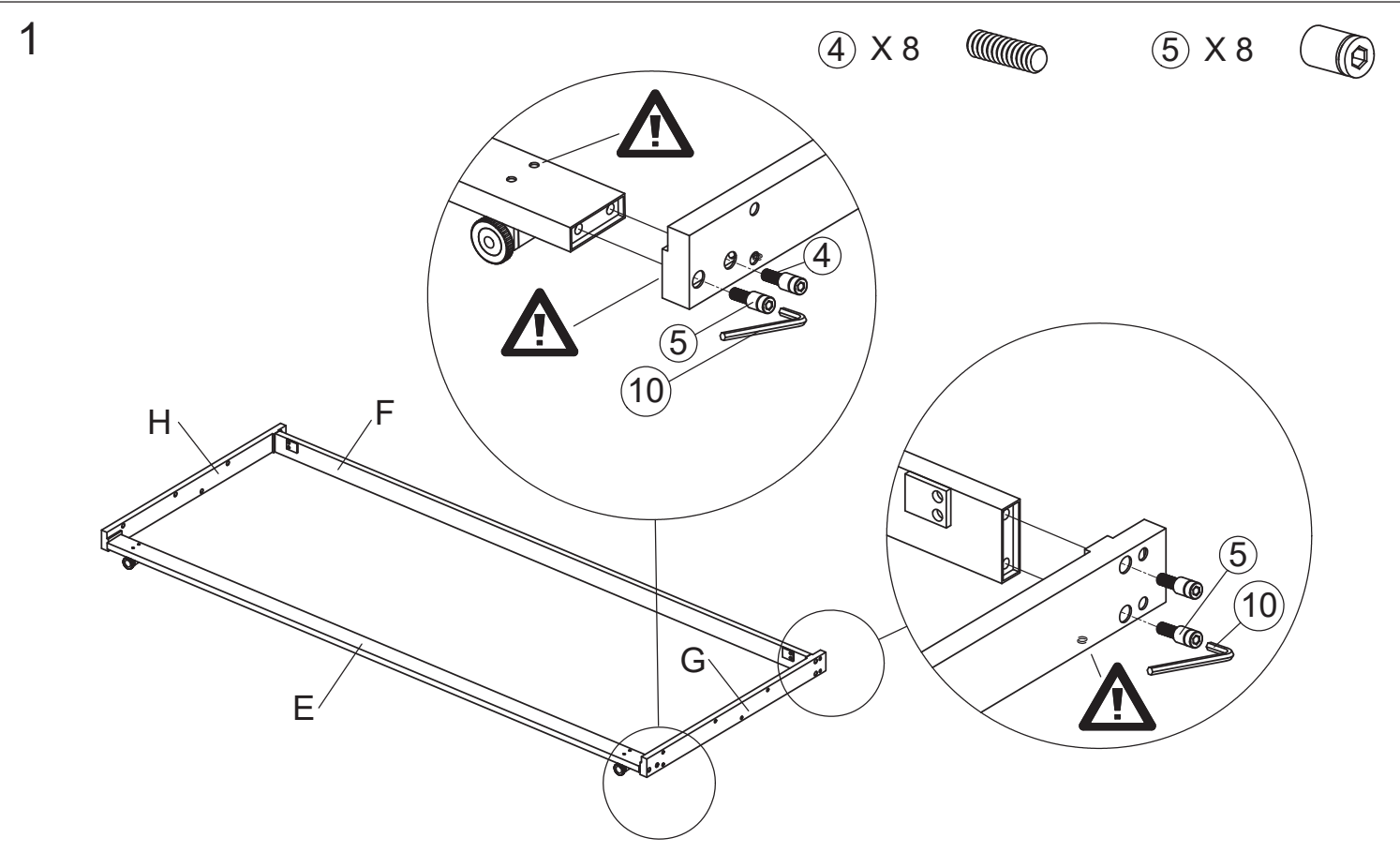
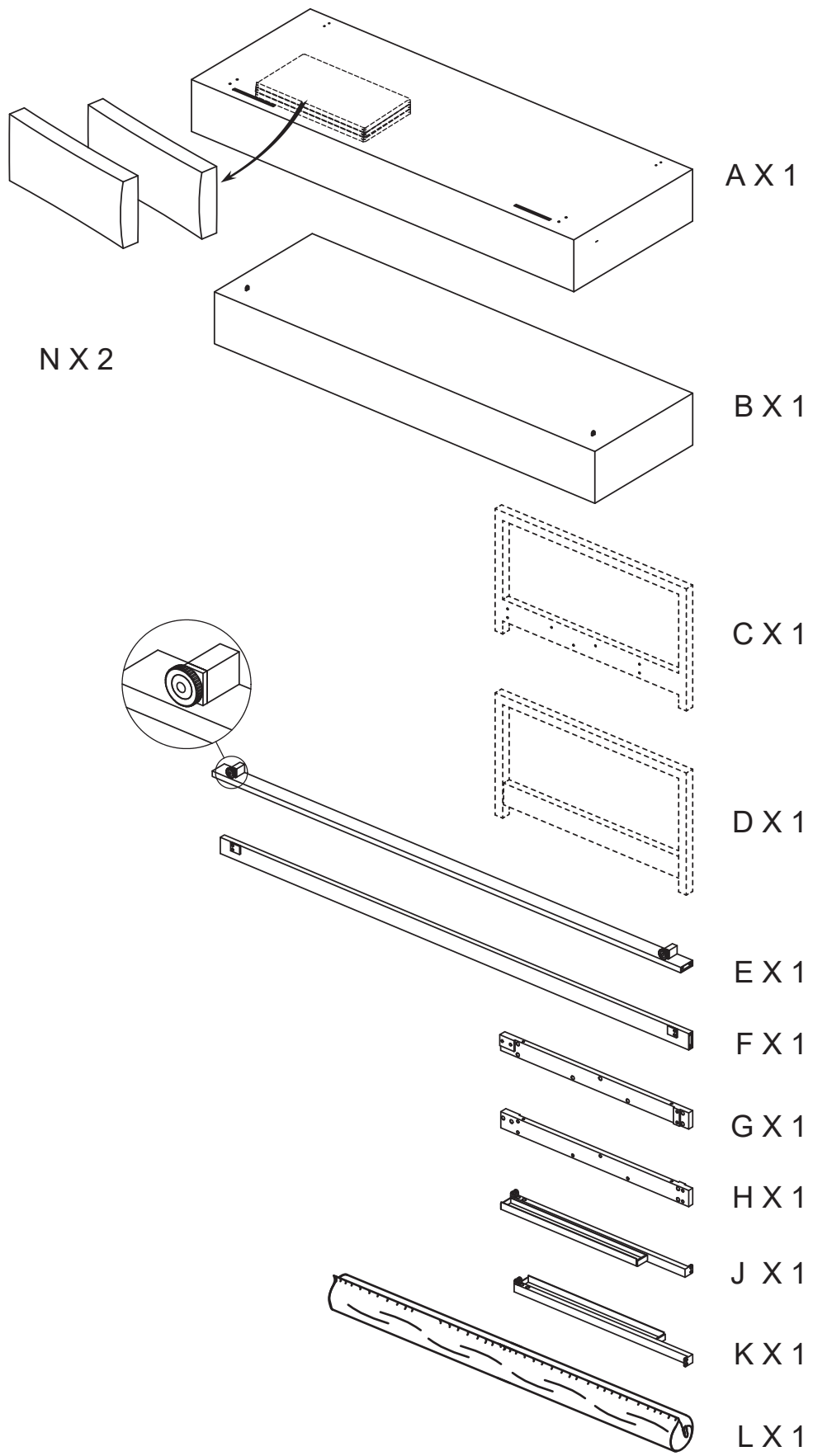
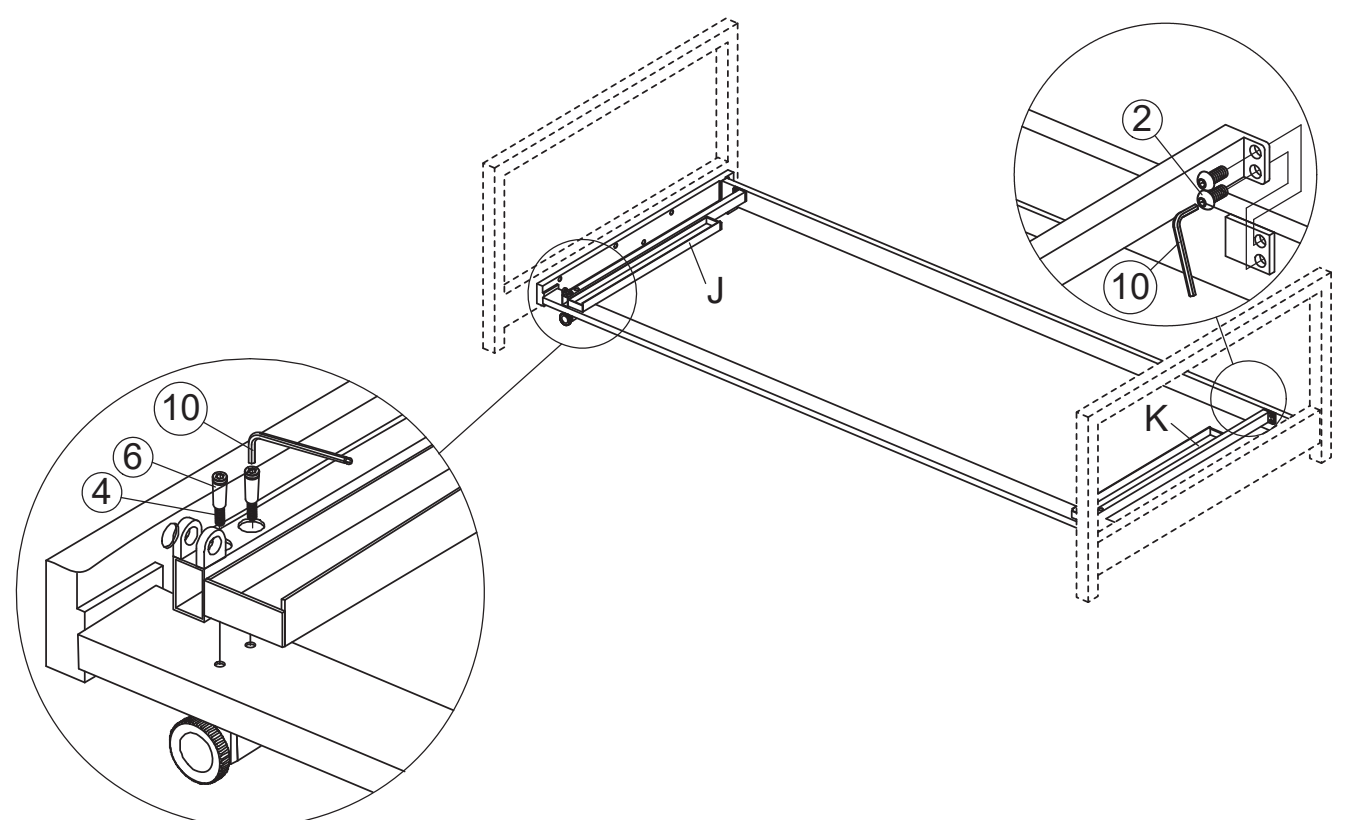




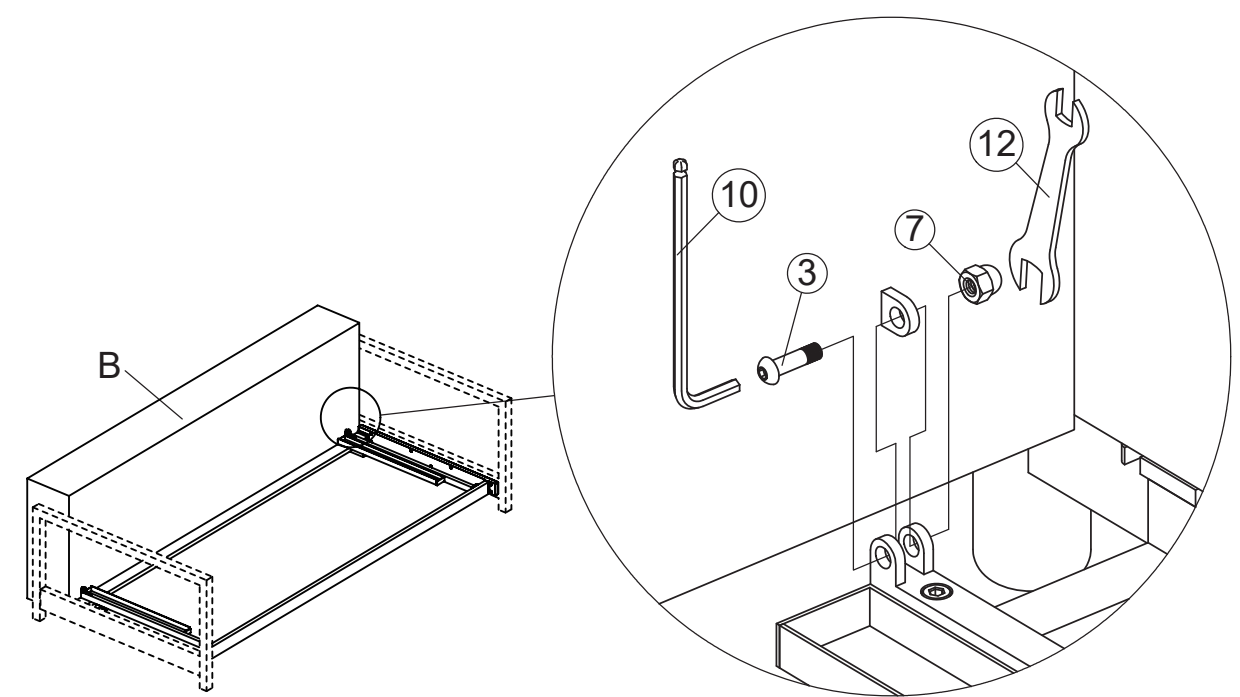
- ① X 4
- ② X 8
- ③ X 2
- ④ X 26
- ⑤ X 22
- ⑥ X 4
- ⑦ X 2
- ⑧ X 2
- ⑨ X 2
- ⑩ X 1
- ⑪ X 1
- ⑫ X 1



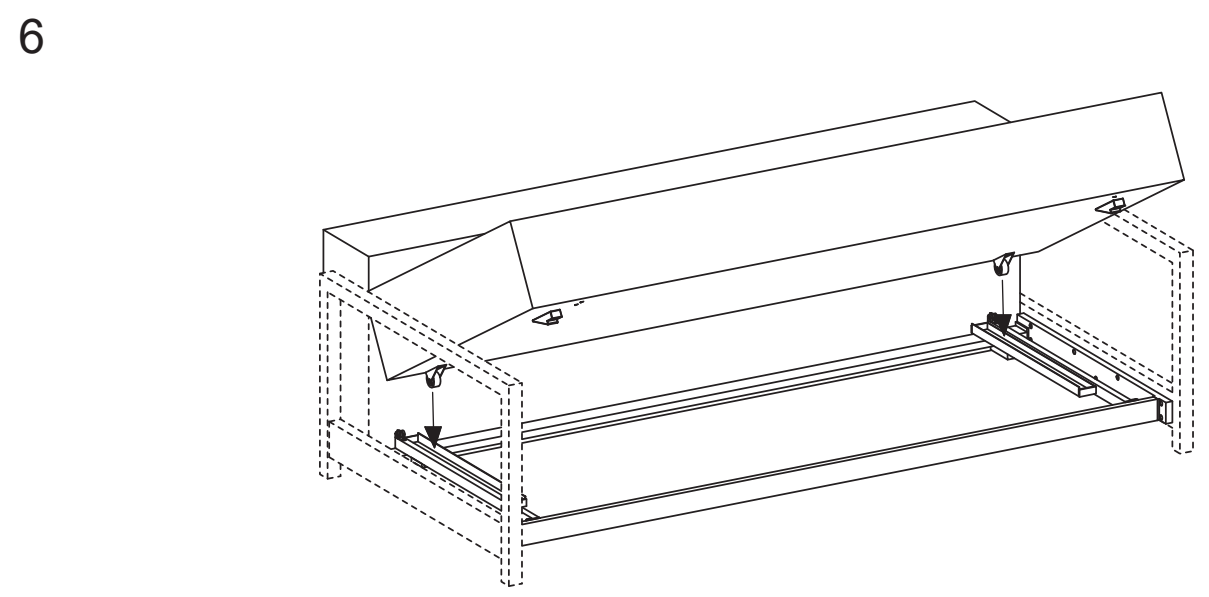
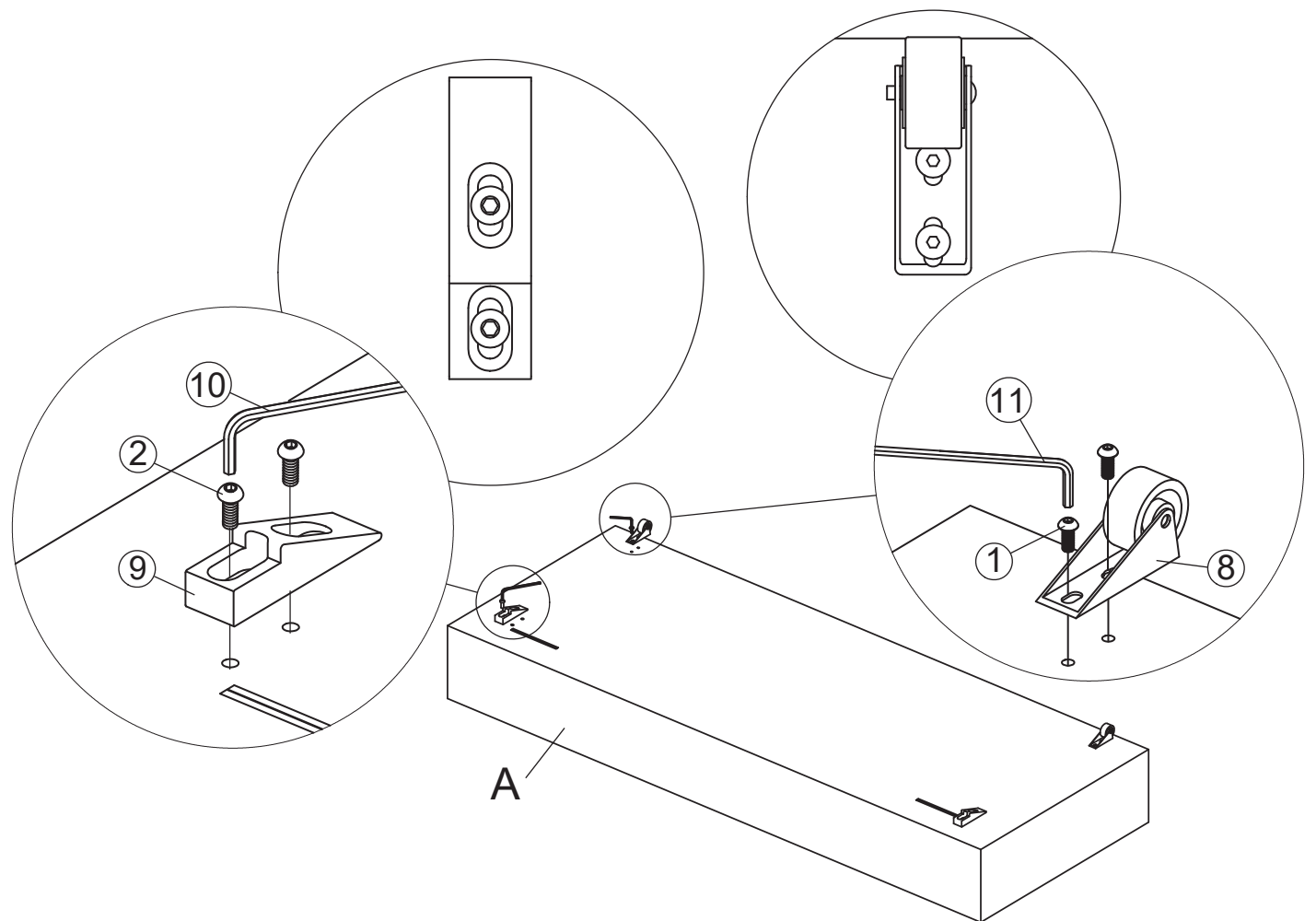
3 ② X 4 ④ X 4 ⑥ X 4



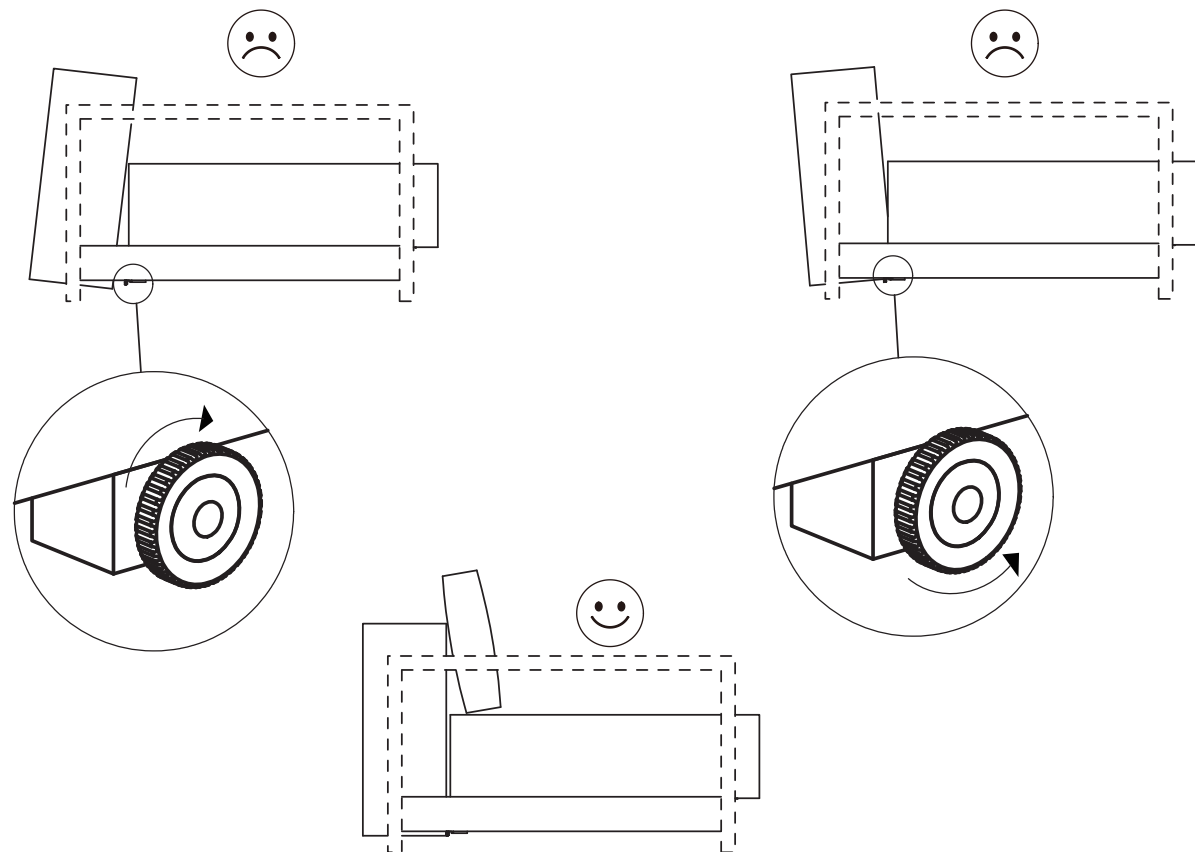
5 ③ X 2 ⑦ X 2



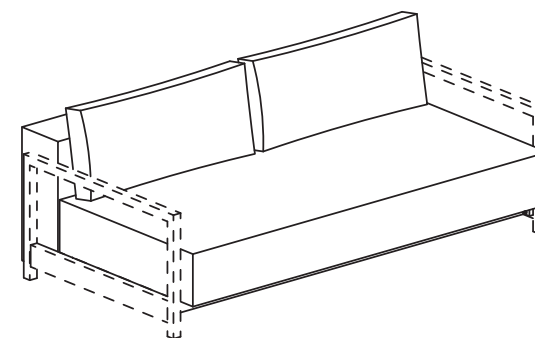
4 ① X 4 ② X 4 ⑧ X 2 ⑨ X 2



7

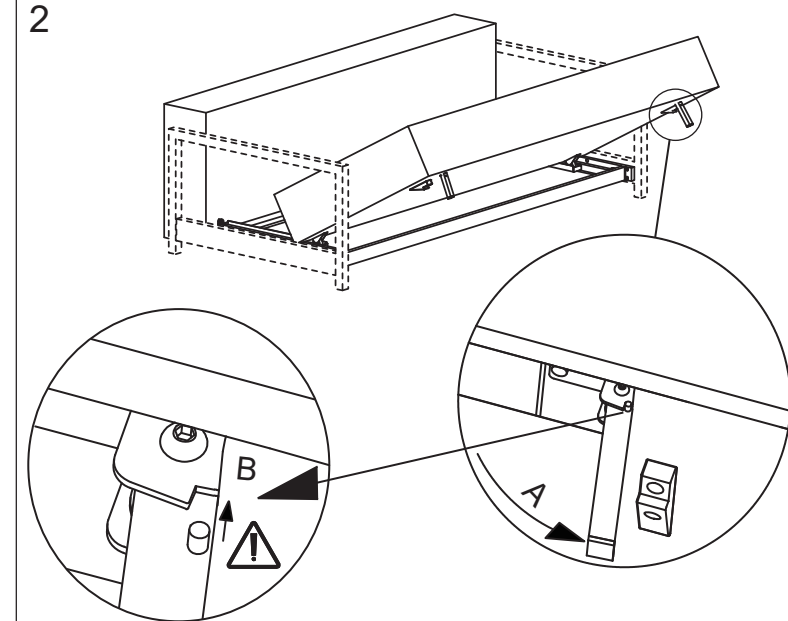


1

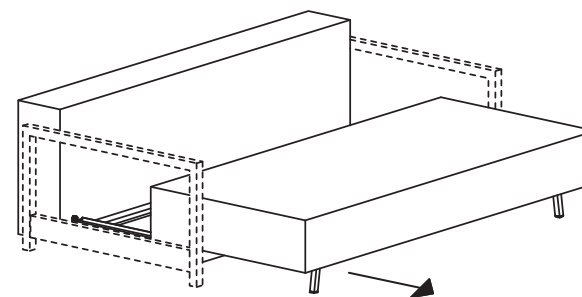


SIDDE-SITZEN-SIT-ASSISE

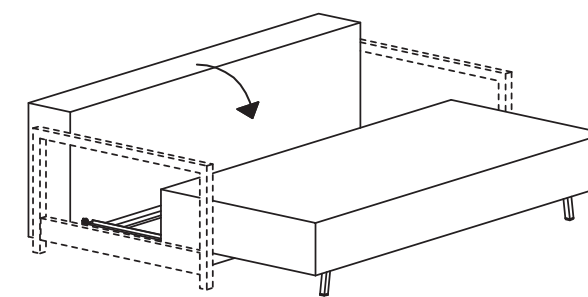
2



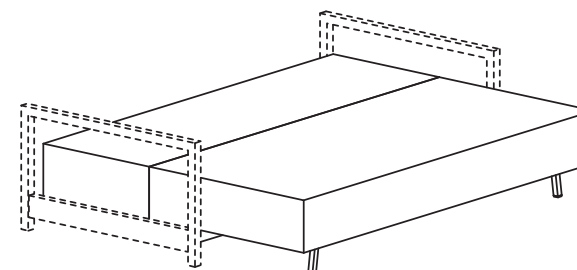
3



4



5



SOVE-SCHLAFEN-SLEEP-DORMIR

